

JET

**GH-2040ZH-
GH-20120ZH**

METAL LATHE

**50000766T-50000769T
50000830T-50000833T
400/50/3**

PARTS LIST

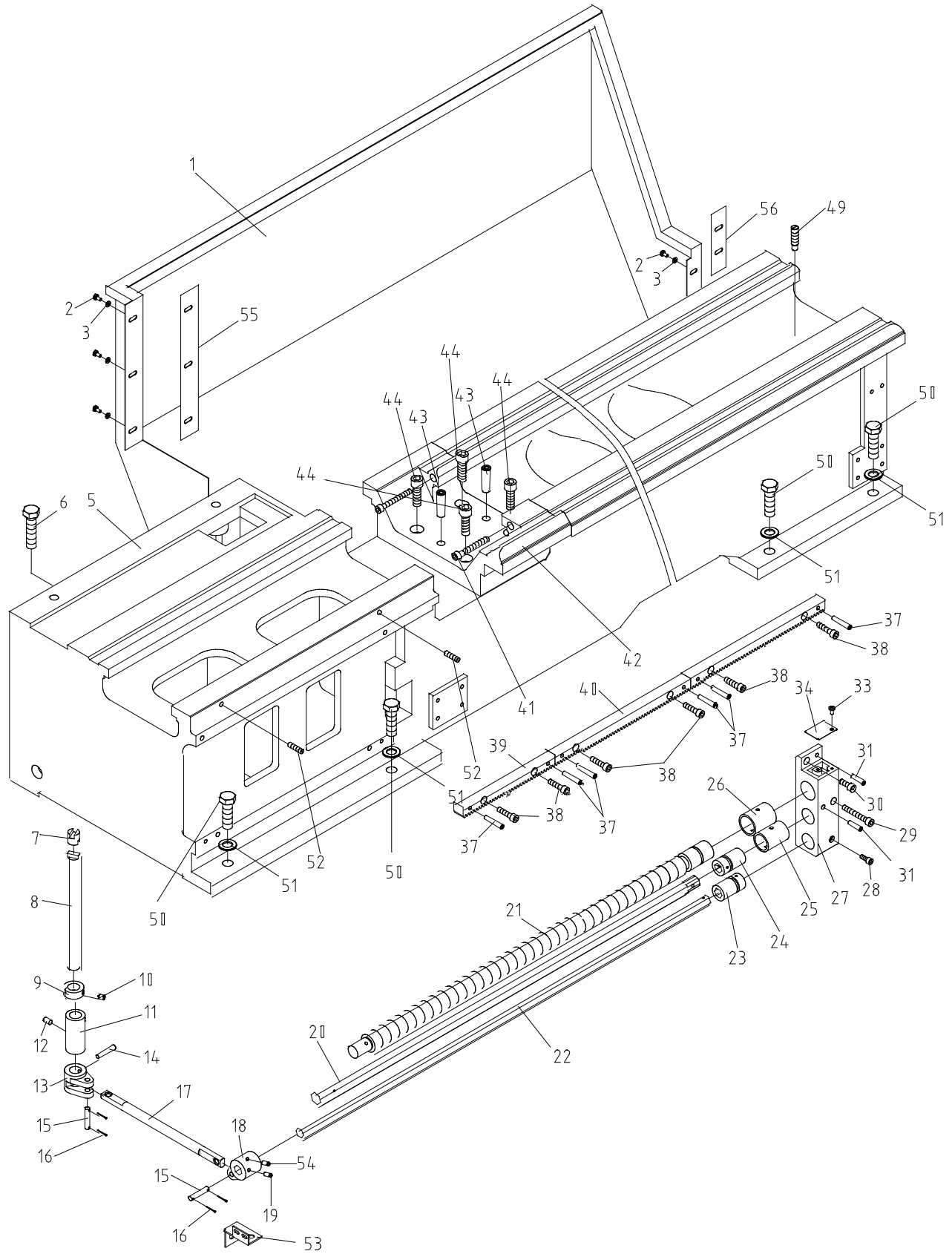
Walter Meier (Tool) AG
Tämperlistrasse 5
CH-8117 Fällanden
Switzerland
Phone +41 44 806 47 48
Fax +41 44 806 47 58
jetinfo.eu@waltermeier.com
www.jettools.com



Table of Contents

| | |
|--|-------|
| Table of Contents | 2 |
| Bed Assembly I | 3-5 |
| Bed Assembly II | 6-7 |
| Headstock Assembly I | 8-10 |
| Headstock Assembly II | 11-13 |
| Headstock Assembly III | 14-17 |
| Headstock Assembly IV | 18-20 |
| Headstock Assembly V | 21-22 |
| Tailstock Assembly I | 23-24 |
| Tailstock Assembly II | 25-26 |
| Tool Post Assembly I | 27-29 |
| Tool Post Assembly II | 30-32 |
| Gear Box Assembly I | 33-34 |
| Gear Box Assembly II | 35-37 |
| Gear Box Assembly III | 38-40 |
| Apron Assembly I | 41-43 |
| Apron Assembly II | 44-46 |
| Apron Assembly III | 47-49 |
| Gear Assembly | 50-51 |
| Micro Carriage Stop Assembly | 52-53 |
| Brake Assembly | 54-55 |
| Steady Rest Assembly | 56-57 |
| Follow Rest Assembly | 58-59 |
| Safety guard cover | 60 |
| Parts List for Toolpost Protection Device | 61 |
| Parts List for Lead Screw Protection Device | 62-63 |
| Parts List for Lead Screw Protection Device For GH-20120ZH | 64-65 |
| Electrical Components | 66-68 |
| Coolant & Work Light Assembly | 69-70 |

Bed Assembly I

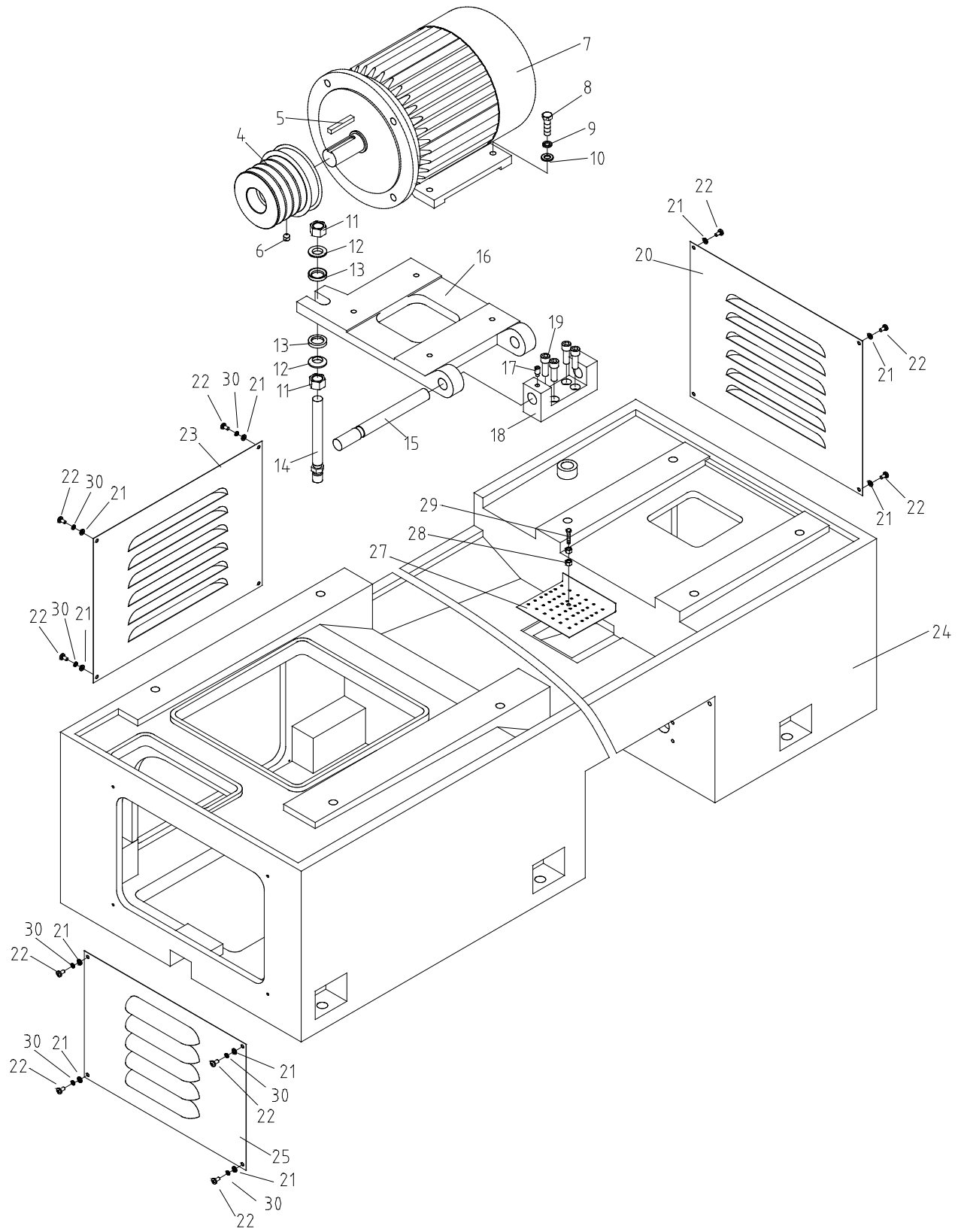


Bed Assembly I

| Index No. | Part No. | Description | Size | Qty. |
|-----------|----------------|--------------------------------------|--------|------|
| 1 | C6266C12701A | Splash Guard (For GH-2040ZH only) | 1000 | 1 |
| | C6266C12701B | Splash Guard (For GH-2060ZH only) | 1500 | 1 |
| | C6266C12701C | Splash Guard (For GH-2080ZH only) | 2000 | 1 |
| | C6266C12701D | Splash Guard (For GH-20120ZH only) | 3000 | 1 |
| 2 | GB70- M6x8 | Hex Socket Cap Screw | M6x8 | 8 |
| 3 | GB97-6 | Flat Washer | 6 | 8 |
| 5 | C6266C01101A | Bed(For GH-2040ZH only) | 1000 | 1 |
| | C6266C01101B | Bed(For GH-2060ZH only) | 1500 | 1 |
| | C6266C01101C | Bed(For GH-2080ZH only) | 2000 | 1 |
| | C6266C01101D | Bed(For GH-20120ZH only) | 3000 | 1 |
| 6 | GB5782- M20x60 | Hexagon Head Bolt | M20x60 | 4 |
| 7 | C6140W01705 | Crossed Head | | 1 |
| 8 | C6140W01706 | Screw | | 1 |
| 9 | C6140W01707 | Sleeve | | 1 |
| 10 | GB71- M10x12 | Slotted Set Screw | M10x12 | 1 |
| 11 | C6140W01709 | Sleeve | | 1 |
| 12 | GB71- M10x20 | Slotted Set Screw | M10x20 | 1 |
| 13 | C6140W01104 | Fork | | 1 |
| 14 | GB118-8x50 | Taper Pin | 8x50 | 1 |
| 15 | GB71- M10x14 | Slotted Set Screw | M10x14 | 2 |
| 16 | GB91-2x16 | Split Pin | 2x16 | 4 |
| 17 | C6140W01711A | Pulling Rod | | 1 |
| 18 | C6266C01106 | Sleeve | | 1 |
| 19 | GB71- M8x16 | Slotted Set Screw | M8x16 | 1 |
| 20 | C6140W01703 | Hex Feed Rod(For GH-2040ZH only) | | 1 |
| | C6266C01703B | Hex Feed Rod(For GH-2060ZH only) | | 1 |
| | C6266C01703C | Hex Feed Rod(For GH-2080ZH only) | | 1 |
| | C6266C01703D | Hex Feed Rod(For GH-20120ZH only) | | 1 |
| 21 | C6140W01702 | Lead Screw(For GH-2040ZH only) | | 1 |
| | C6266C01702B | Lead Screw(For GH-2060ZH only) | | 1 |
| | C6266C01702C | Lead Screw(For GH-2080ZH only) | | 1 |
| | C6266C01702D | Lead Screw(For GH-20120ZH only) | | 1 |
| 22 | C6140W01705 | Hex Control Rod(For GH-2040ZH only) | | 1 |
| | C6266C01705B | Hex Control Rod(For GH-2060ZH only) | | 1 |
| | C6266C01705C | Hex Control Rod(For GH-2080ZH only) | | 1 |
| | C6266C01705D | Hex Control Rod(For GH-20120ZH only) | | 1 |
| 23 | C6140W01724 | Sleeve | | 1 |
| 24 | C6140W01725 | Sleeve | | 1 |
| 25 | C6140W01302 | Copper Sleeve | | 1 |
| 26 | C6140W01301 | Copper Sleeve | | 1 |
| 27 | C6140W01109 | Bracket | | 1 |
| 28 | GB70- M8x20 | Hex Socket Cap Screw | M8x20 | 1 |
| 29 | GB70- M10x70 | Hex Socket Cap Screw | M10x70 | 1 |
| 30 | GB70- M10x25 | Hex Socket Cap Screw | M10x25 | 1 |
| 31 | GB118-8x35 | Taper Pin | 8x35 | 2 |
| 33 | GB70- M6x8 | Hex Socket Cap Screw | M6x8 | 8 |
| 34 | C6140W01726 | Cover | | 1 |

| | | | | |
|----|----------------|------------------------------------|--------|---|
| 37 | GB118-8x45 | Taper Pin | 8x45 | 6 |
| 38 | GB70- M10x35 | Hex Socket Cap Screw | M10x35 | 6 |
| 39 | C6266C01704 | Rack(For GH-2040ZH only) | | 2 |
| | C6266C01704 | Rack(For GH-2060ZH only) | | 1 |
| | C6266C01704 | Rack(For GH-2080ZH only) | | 1 |
| | C6266C01704 | Rack(For GH-20120ZH only) | | 1 |
| 40 | C6140W01719 | Rack(For GH-2040ZH only) | | 2 |
| | C6140W01719 | Rack(For GH-2060ZH only) | | 4 |
| | C6140W01719 | Rack(For GH-2080ZH only) | | 5 |
| | C6140W01719 | Rack(For GH-20120ZH only) | | 8 |
| 41 | GB70- M10x85 | Hex Socket Cap Screw | M10x85 | 2 |
| 42 | C6266C01103 | Gap | | 1 |
| 43 | GB118-16x60 | Taper Pin | 16x60 | 2 |
| 44 | GB70- M16x50 | Hex Socket Cap Screw | M16x50 | 4 |
| 49 | C6140W01733 | Pin | | 1 |
| 50 | GB5782- M20x80 | Hexagon Head Bolt | M20x80 | 4 |
| 51 | GB97.2-20 | Flat Washer | 20 | 8 |
| 52 | GB85- M12x75 | Set Screw | M12x75 | 2 |
| 53 | C6266C18716 | Bracket | | 1 |
| 54 | C6266C01718 | Nut | | 1 |
| 55 | C6266CLRG40 | Rubber Washer (For GH-2040ZH only) | | 1 |
| | C6266CLRG60 | Rubber Washer (For GH-2060ZH only) | | 1 |
| | C6266CLRG80 | Rubber Washer (For GH-2080ZH only) | | 1 |
| 56 | C6266CRRG | Rubber Washer | | 1 |

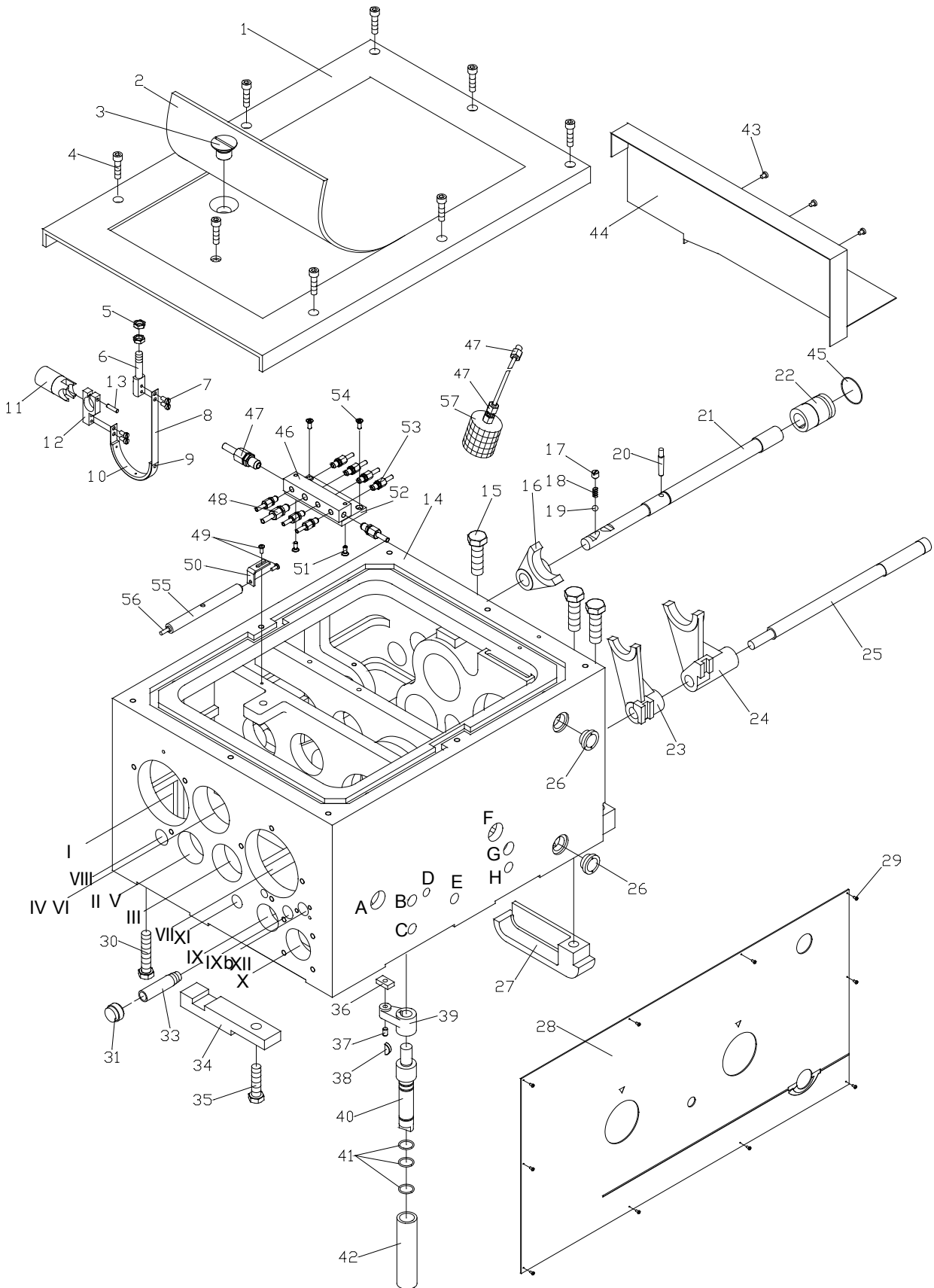
Bed Assembly II



Bed Assembly II

| Index No. | Part No. | Description | Size | Qty. |
|-----------|----------------|--------------------------------|--------|------|
| 4 | C6266C01105 | Pulley | | 1 |
| 5 | GB1096-10x50 | Flat Key | 10x50 | 1 |
| 6 | GB71- M12x16 | Slotted Set Screw | M12x16 | 1 |
| 7 | Y132M-4TH/B3 | Motor | 7.5W | 1 |
| 8 | GB5782- M10x40 | Hexagon Head Bolt | M10x40 | 4 |
| 9 | GB93-10 | Spring Washer | 10 | 4 |
| 10 | GB97.2-10 | Flat Washer | 10 | 4 |
| 11 | GB6170- M20 | Hex Nut | M20 | 2 |
| 12 | GB850-20 | Taper Waher | 20 | 2 |
| 13 | GB849-20 | Ball Washer | 20 | 2 |
| 14 | C6140W01714 | Double Bolt | | 1 |
| 15 | C6266C01711 | Shaft | | 1 |
| 16 | C6266C01104 | Motor Mounting Plate | | 1 |
| 17 | GB75- M10x14 | Slotted Set Screws | M10x14 | 1 |
| 18 | C6266C01107 | Support | | 1 |
| 19 | GB70- M12x35 | Hex Socket Cap Screw | M12x35 | 4 |
| 20 | C6266C01701 | Cover | | 1 |
| 21 | GB97-6 | Flat Washer | 6 | 12 |
| 22 | GB818- M6x5 | Cross Recessed Pan Head Screws | M6x5 | 12 |
| 23 | C6266C01710 | Cover | | 1 |
| 24 | C6266C01102A | Bed Stand(For GH-2040ZH only) | 1000 | 1 |
| | C6266C01102B | Bed Stand(For GH-2060ZH only) | 1500 | 1 |
| | C6266C01102C | Bed Stand(For GH-2080ZH only) | 2000 | 1 |
| | C6266C01102D | Bed Stand(For GH-20120ZH only) | 3000 | 1 |
| 25 | C6266C01707 | Cover | | 1 |
| 27 | 1440R01705 | Water Leaking Chip Guard | | 1 |
| 28 | GB41- M6 | Hex Nut | M6 | 1 |
| 29 | GB5782- M6x20 | Hexagon Head Bolt | M6x20 | 1 |
| 30 | GB93-6 | Spring Washer | 6 | 8 |

Headstock Assembly I

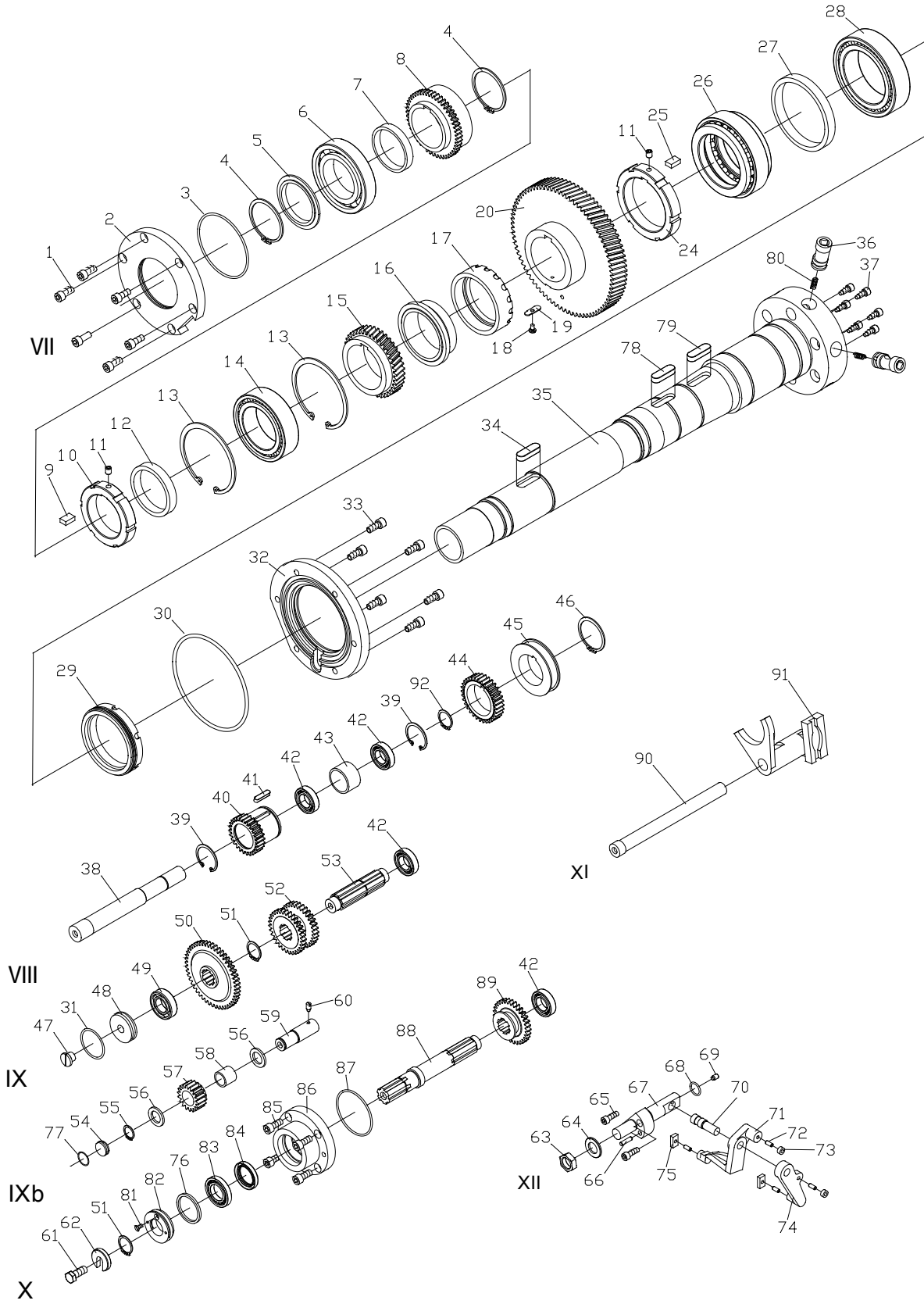


Headstock Assembly I

| Index No. | Part No. | Description | Size | Qty. |
|-----------|--------------------|--------------------------------|-----------|------|
| 1 | C6140W02505 | Headstock Cover | | 1 |
| 2 | C6140W02509 | Rubber Gasket | | 1 |
| 3 | C6140W02835 | Sunk Screw | | 1 |
| 4 | GB70- M10x40 | Hex Socket Cap Screw | M10x40 | 8 |
| 5 | GB6172- M12 | Hex Flat Nut | M12 | 2 |
| 6 | C6140W02816 | Screw | | 1 |
| 7 | GB65- M6x12 | Slotted Socket Cap Screw | M6x12 | 4 |
| 8 | C6140W02796 | Braking Belt | | 1 |
| 9 | GB867-3x8 | Half Circle Rivet | 3x8 | 3 |
| 10 | C140W02503 | Braking Friction Disk | | 1 |
| 11 | C6140W02797 | Shaft | | 1 |
| 12 | C6140W02798 | Braking Belt Support | | 1 |
| 13 | GB119-6m6x25 | Pin | 6m6x25 | 1 |
| 14 | C6250B02101 | Headstock | | 1 |
| 15 | GB5782- M20x65 | Hexagon Head Bolt | M20x65 | 3 |
| 16 | C6140W02107 | Fork | | 1 |
| 17 | GB71- M12x14 | Slotted Set Screw | M12x14 | 1 |
| 18 | Q81-1-1.6x8x70 | Spring | 1.6x8x70 | 1 |
| 19 | GB308-10 | Steel Ball | 10 | 1 |
| 20 | GB818-8x40 | Cross Recessed Pan Head Screws | 8x40 | 1 |
| 21 | C6140W02731 | Positioning Shaft | | 1 |
| 22 | C6140W02105 | Bushing | | 1 |
| 23 | C6250B02138 | Fork | | 1 |
| 24 | C6140W02130 | Fork | | 1 |
| 25 | C6140W02829 | Fork Shaft | | 1 |
| 26 | R51-2-20 | Oil Sight Glass | 20 | 2 |
| 27 | C6140W02141 | Front Cover | | 1 |
| 28 | C6250B02305 | Label | | 1 |
| 29 | GB818- M3x5 | Cross Recessed Pan Head Screws | M3x5 | 10 |
| 30 | GB5782- M16x80 | Hexagon Head Bolt | M16x80 | 2 |
| 31 | C6140W02831 | Nut | | 1 |
| 33 | C6140W02832 | Drain Pipe | | 1 |
| 34 | C6140W02833 | Clamping Plate | | 1 |
| 35 | GB5782- M16x60 | Hexagon Head Bolt | M16x60 | 1 |
| 36 | C6140W02143 | Slide Block | | 1 |
| 37 | GB119-8m6x20 | Pin | 8m6x20 | 1 |
| 38 | GB1099-6x22 | Half Circle Key | 6x22 | 1 |
| 39 | C6140W02129 | Rocker | | 1 |
| 40 | C6140W02815 | Shaft | | 1 |
| 41 | GB1235-25x2.4 | | 25x2.4 | 3 |
| 42 | C6140W02127 | Collar | | 1 |
| 45 | GB3452.1-38.7x3.55 | Ring Seal | 38.7x3.55 | 1 |
| 46 | C6250B02836 | Oil Distributor | | 1 |
| 47 | G92-1A-10 | Fitting | 10 | 4 |
| 48 | G92-1A-6 | Fitting | 6 | 2 |
| 49 | GB818- M5x12 | Cross Recessed Pan Head Screws | M5x12 | 3 |
| 50 | C62650B02838 | Bracket | | 1 |

| | | | | | | | | |
|----|-------|--------------|-------|--------------------------------|-------|-------|-------|----|
| 51 | | GB819- M5×10 | | Cross Recessed Head Screws | | M5×10 | | 2 |
| 52 | | C6250B02837 | | Board | | | | 1 |
| 53 | | G92-1A-4 | | Fitting | | 4 | | 10 |
| 54 | | GB818- M5×14 | | Cross Recessed Pan Head Screws | | M5×14 | | 2 |
| 55 | | C6250B02840 | | Combination Of Oil Sprayers | | | | 1 |
| 56 | | C6250B02841 | | Plug | | | | 1 |
| 57 | | SFW-02A | | Oil Filter | | | | 1 |

Headstock Assembly II

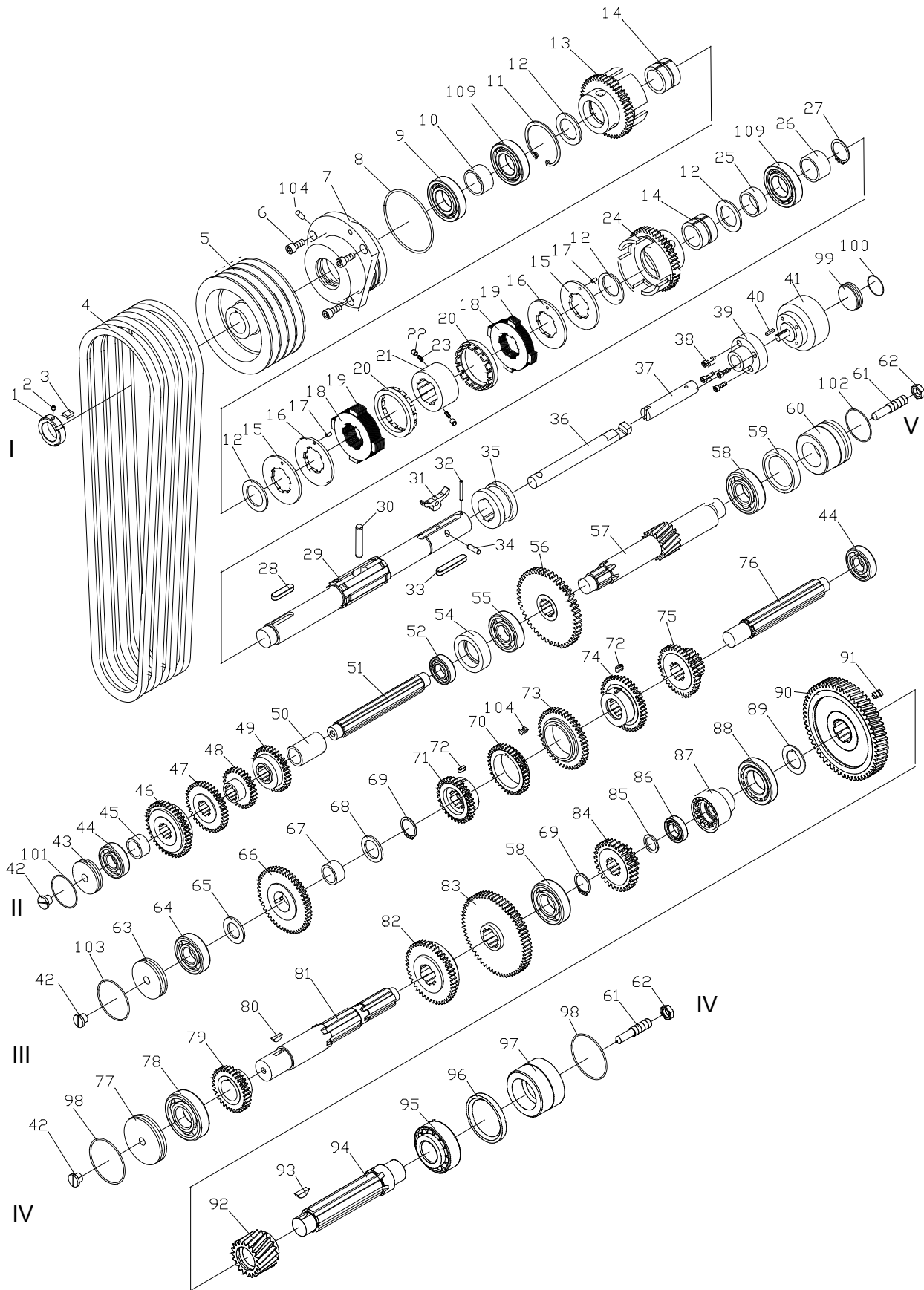


Headstock Assembly II

| Index No. | Part No. | Description | Size | Qty. |
|-----------|------------------|--------------------------|------------|------|
| 1 | GB70-M10x25 | Hex Socket Cap Screws | M10x25 | 6 |
| 2 | C6250B02115 | Back Flange Cover | | 1 |
| 3 | G51-2B-170x2.65 | Ring Seal | 170x2.65 | 1 |
| 4 | GB894.1-95 | Circlip for Shaft | 95 | 2 |
| 5 | C6250B02772 | Oil Splash Ring | | 1 |
| 6 | 6019/P5 | Deep Groove Ball Bearing | | 1 |
| 7 | C6250B02116 | Sleeve | | 1 |
| 8 | C6250B02773 | Gear | | 1 |
| 9 | C6250B02789(2/2) | Clamping Block | | 1 |
| 10 | C6250B02789(2/2) | Round Nut | | 1 |
| 11 | GB77- M10x25 | Hex Socket Set Screw | M10x25 | 1 |
| 12 | C6250B02790 | Sleeve | | 1 |
| 13 | GB893.1-150 | Circlip for Bore | 150 | 1 |
| 14 | NN3020/P5 | Double Row Roller Bear | 100x150x37 | 1 |
| 15 | C6250B02716 | Gear | | 1 |
| 16 | C6250B02702 | Thread Sleeve | | 1 |
| 17 | C6250B02703 | Nut | | 1 |
| 18 | GB67- M6x10 | Slotted Pan Head Screw | M6x10 | 1 |
| 19 | C6140W02715 | Fixing Plate | | 1 |
| 20 | C6250B02705 | Gear | | 1 |
| 24 | C6250B02706(1/2) | Round Nut | | 1 |
| 25 | C6250B02706(2/2) | Clamping Block | | 1 |
| 26 | 234424/P5 | Thrust Ball Bearing | 120x150x72 | 1 |
| 27 | C6250B02712 | Sleeve | | 1 |
| 28 | NN3024K/W33/P5 | Double RowBall Bearing | 120x150x46 | 1 |
| 29 | 1440R02702 | Oil Splash Ring | | 1 |
| 30 | G51-2B-218x2.65 | Ring Seal | 218x2.65 | 1 |
| 31 | GB3452.1-45x3.55 | Ring Seal | 45x3.55 | 1 |
| 32 | C6250B02102 | Front Flange Cover | | 1 |
| 33 | GB70- M10x25 | Hex Socket Cap Screws | M10x25 | 6 |
| 34 | GB1096-10x50 | Key | 10x50 | 1 |
| 35 | C6250B02701 | Spindle(D Type) | | 1 |
| | C6250B02701A | Spindle(C Type) | | 1 |
| 36 | 1440R02701 | Cam(For D Type) | | 6 |
| 37 | 1440R02703 | Cam(For C Type) | | 6 |
| 38 | C6140W-02735 | Shaft VIII | | 1 |
| 39 | GB893.1-47 | Circlip for Bore | 47 | 2 |
| 40 | C6140W02739 | Gear | | 1 |
| 41 | GB1096-8x35 | Key | 8x35 | 1 |
| 42 | 6005/P6 | Deep Groove Ball Bearing | 25x47x12 | 2 |
| 43 | C6140W02110 | Sleeve | | 1 |
| 44 | C6140W02738 | Gear | | 1 |
| 45 | C6140W02737 | Braking Wheel | | 1 |
| 46 | GB894.1-58 | Circlip for Shaft | 58 | 1 |
| 47 | C6140W02765 | Screw | | 1 |
| 48 | C6140W02774 | Bearing Cover | | 1 |
| 49 | 6205/P6 | Bearing | 25x52x15 | 1 |
| 50 | C6140W02778 | Gear | | 1 |

| | | | | |
|----|---------------------|--------------------------|---------|---|
| 51 | GB894.1-30 | Circlip for Shaft | 30 | 2 |
| 52 | C6140W02784 | Double Gear | | 1 |
| 53 | C6140W02777 | Shaft IV | | 1 |
| 54 | C6140W02775 | Plug | | 1 |
| 55 | GB894.1-22 | Circlip for Shaft | 22 | 1 |
| 56 | C6140W02782 | Washer | | 2 |
| 57 | C6140W02781 | Gear | | 1 |
| 58 | C6140W02306 | Copper Sleeve | | 1 |
| 59 | C6140W02783 | Shaft IXb | | 1 |
| 60 | GB72- M8x16 | Slotted Set Screw | M8x16 | 1 |
| 61 | GB5782- M12x30 | Hexagon Head Bolt | M12x30 | 1 |
| 62 | GB851- A12-40 | Snap Washer | A12-40 | 1 |
| 63 | GB6172- M20 | Hex Flat Screw | M20 | 1 |
| 64 | GB97.1-20 | Washer | 20 | 1 |
| 65 | GB70- M8x25 | Hex Socket Cap Screws | M8x25 | 1 |
| 66 | GB119-6m6x25 | Pin | 6m6x25 | 1 |
| 67 | C6140W02824 | Positioning Shaft | | 1 |
| 68 | GB3452.1-92-20x2.65 | Ring Seal | 20x2.65 | 1 |
| 69 | GB79- M8x14 | Hex Socket Cap Screws | M8x14 | 1 |
| 70 | C6140W02828 | Pin Shaft | | 1 |
| 71 | C6140W02140 | Rocker | | 1 |
| 72 | GB119-6n6x14 | Pin | 6n6x14 | 1 |
| 73 | C6140W02812 | Roller | | 1 |
| 74 | C6250B02142 | Rocker | | 1 |
| 75 | C6140W02119 | Sliding Block | | 1 |
| 76 | C6250B02142 | Washer | | 1 |
| 77 | GB3452.1-20x2.65 | Ring Seal | 20x2.65 | 1 |
| 78 | GB1096-12x50 | Key | 12x50 | 1 |
| 79 | GB1096-16x50 | Key | 16x50 | 1 |
| 80 | Q81-1-1x8x25 | Spring | 1x8x25 | 1 |
| 81 | GB68- M5x12 | Recessed Sunk Head Screw | M5x12 | 1 |
| 82 | C6140W02776 | Adjusting Plug | | 1 |
| 83 | 6006-2KS/P6 | Both Ends Sealed Bearing | | 1 |
| 84 | GB13871-35x51x8 | Seal | 35x51x8 | 1 |
| 85 | GB70- M10x25 | Hex Socket Cap Screws | M10x25 | 4 |
| 86 | C6250B02117 | Bearing Support | | 1 |
| 87 | G51-2A-80x3.1 | Ring Seal | 80x3.1 | 1 |
| 88 | C6250B02779 | Shaft X | | 1 |
| 89 | C6140W02780 | Gear | | 1 |
| 90 | C6140W02793 | Fork Shaft | | 1 |
| 91 | C6140W02133 | Fork | | 1 |
| 92 | GB894.1-25 | Circlip for Shaft | 25 | 1 |

Headstock Assembly III



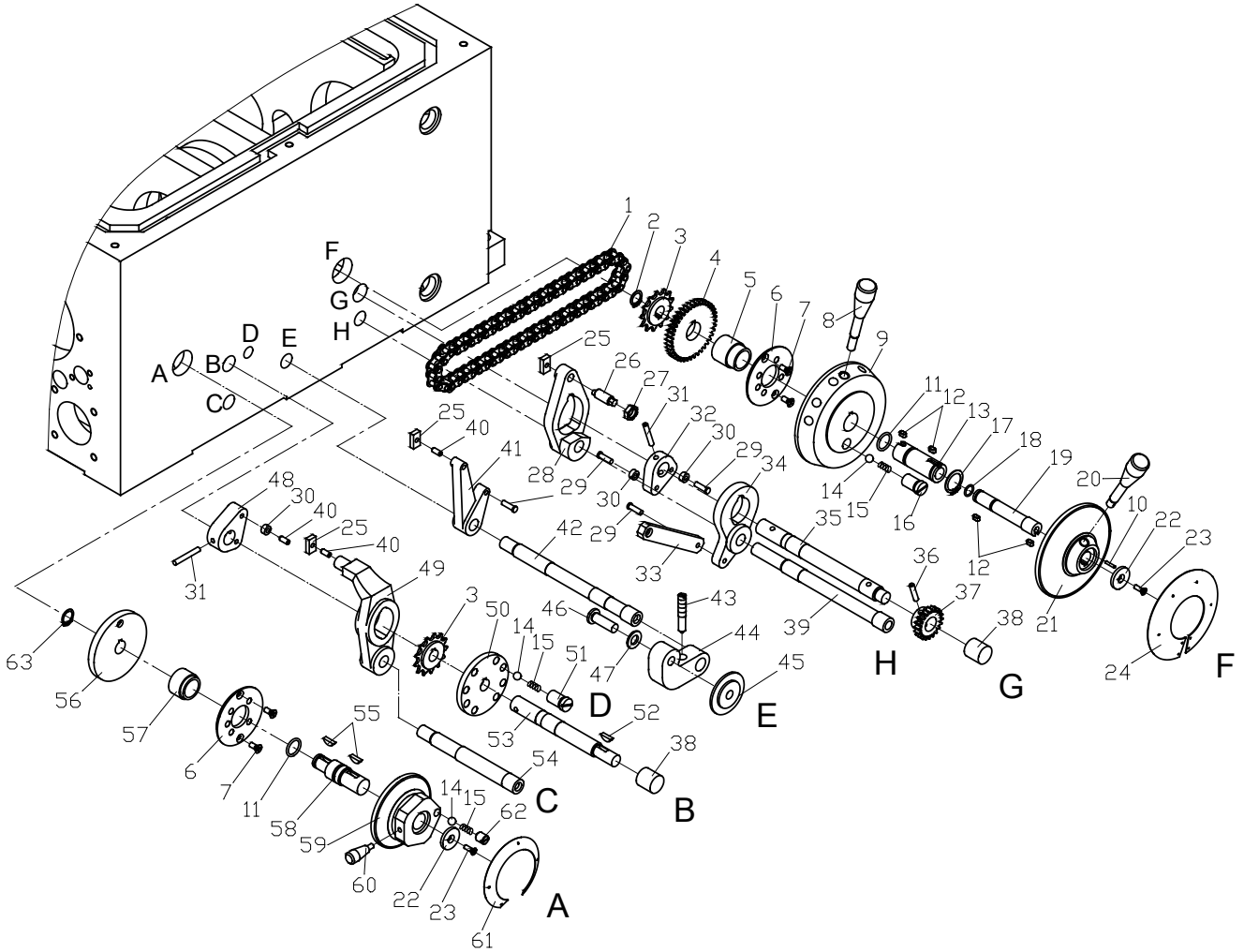
Headstock Assembly III

| Index No. | Part No. | Description | Size | Qty. |
|-----------|-------------------|---------------------------|----------|------|
| 1 | C6140W02752(1/2) | Round Nut | | 1 |
| 2 | GB77-6x6 | Hex Scret Set Screw | 6x6 | 1 |
| 3 | C6140W02752(2/2) | Clamping Block | | 1 |
| 4 | B-2159 | Belt | | 4 |
| 5 | C6140W02113 | Pulley | | 1 |
| 6 | GB70- M10x25 | Hex Socket Cap Screws | M10x25 | 4 |
| 7 | C6140W02111 | Bearing Support | | 1 |
| 8 | GB3452.1-115x3.55 | Ring Seal | 115x3.55 | 1 |
| 9 | BB-6208Z | Bearing | 6208Z | 1 |
| 10 | C6140W02112 | Sleeve | | 1 |
| 11 | GB893.1-80 | Circlip for Bore | 80 | 1 |
| 12 | C6140W02740 | Sleeve | | 4 |
| 13 | C6140W02749 | Gear | | 1 |
| 14 | C6140W02301 | Collar | | 1 |
| 15 | C6140W02748 | Washer | | 2 |
| 15 | C6140W02747 | Washer | | 2 |
| 17 | GB119-5x10 | Pin | 5x10 | 2 |
| 18 | C6140W02746 | Inner Friction Disk | | 16 |
| 19 | C6140W02745 | Outter Friction Disk | | 14 |
| 20 | C6140W02741 | Adjusting Nut | | 2 |
| 21 | C6140W02742 | Sleeve Nut | | 1 |
| 22 | C6140W02744 | Stop Pin | | 1 |
| 23 | Q81-1-0.8x5x16 | Spring | 0.8x5x16 | 2 |
| 24 | C6140W02736 | Gear | | 1 |
| 25 | C6140W02109 | Sleeve | | 1 |
| 26 | C6140W02108 | Sleeve | | 1 |
| 27 | GB894.1-40 | Circlip for Shaft | 40 | 1 |
| 28 | GB1096-12x50 | Key | 12x50 | 1 |
| 29 | C6140W02751 | Shaft I | | 1 |
| 30 | GB119-12x70 | Pin | 12x70 | 1 |
| 31 | C6140W02732 | Lever | | 1 |
| 32 | GB119-5x40 | Pin | 5x40 | 1 |
| 33 | GB1096-12x70 | Key | 12x70 | 1 |
| 34 | GB119-8x25 | Pin | 8x25 | 1 |
| 35 | C6140W02733 | Clamping Ring | | 1 |
| 36 | C6140W02743 | Shaft | | 1 |
| 37 | C6140W02730 | Shaft connecting Oil Pump | | 1 |
| 38 | GB70- M6x20 | Hex Socket Cap Screws | M6x20 | 4 |
| 39 | C6140W02106 | Pump Support | | 1 |
| 40 | GB1096- 4x20 | Key | 4x20 | 1 |
| 41 | DB-B4 | Oil Pump | | 1 |
| 42 | C6140W02765 | Bolt | | 4 |
| 43 | C6140W02754 | Bearing Cover | | 1 |
| 44 | 6035/P6 | Bearing | 25x62x17 | 1 |
| 45 | C6140W02131 | Sleeve | | 1 |
| 46 | C6140W02755 | Gear | | 1 |
| 47 | C6140W02756 | Gear | | 1 |
| 48 | C6140W02757 | Gear | | 1 |

| | | | |
|----------|-------------------------|--------------------------------|-----------------|
| 49..... | C6140W02758..... | Gear..... | 1 |
| 50..... | C6140W02114..... | Sleeve..... | 1 |
| 51..... | C6140W02753..... | Shaft II..... | 1 |
| 52..... | 6205/P6..... | Deep Groove Ball Bearing..... | 25x52x15.....1 |
| 54..... | C6140W02734..... | Bearing Support..... | 1 |
| 55..... | 6306/P6..... | Bearing..... | 30x72x19.....1 |
| 56..... | C6140W02727..... | Gear..... | 1 |
| 57..... | C6250B02728..... | Shaft V..... | 1 |
| 58..... | 6307/P6..... | Bearing..... | 35x80x21.....1 |
| 59..... | C6140W02726..... | Cover for Shaft V..... | 1 |
| 60..... | C6140W02104..... | Stopper for Shaft V Hole..... | 1 |
| 61..... | C6140W02717..... | Hex Socket Cap Screws..... | 2 |
| 62..... | GB6173 M16x1.5..... | Hex Flat Nut..... | M16x1.5.....1 |
| 63..... | C6140W02759..... | Bearing Cover..... | 1 |
| 64..... | 6306/P6..... | Bearing..... | 1 |
| 65..... | C6140W02762..... | Washer..... | 1 |
| 66..... | C6140W02764..... | Gear..... | 1 |
| 67..... | C6140W02302..... | Copper Sleeve..... | 1 |
| 68..... | C6140W02763..... | Washer..... | 1 |
| 69..... | GB894.1-35..... | Circlip for Shaft..... | 35.....1 |
| 70..... | C6140W02760..... | Gear..... | 1 |
| 71..... | C6140W02761..... | Gear..... | 1 |
| 72..... | GB1096-6x16..... | Key..... | 6x16.....1 |
| 73..... | C6140W02768..... | Gear..... | 1 |
| 74..... | C6140W02769..... | Gear..... | 1 |
| 75..... | C6140W02771..... | Double Gear..... | 1 |
| 76..... | C6140W02770..... | Shaft III..... | 1 |
| 77..... | C6140W02766..... | Bearing Cover..... | 1 |
| 78..... | 6308/P6..... | Deep Groove Ball Bearing..... | 40x90x23.....3 |
| 79..... | C6250B02767..... | Gear..... | 1 |
| 80..... | GB1099-6x22..... | Half Circle Key..... | 6x22.....1 |
| 81..... | C6140W02785..... | Shaft IV..... | 1 |
| 82..... | C6140W02786..... | Gear..... | 1 |
| 83..... | C6140W02787..... | Gear..... | 1 |
| 84..... | C6140W02725..... | Double Gear..... | 1 |
| 85..... | C6140W02750..... | Slide Sleeve..... | 1 |
| 86..... | 6005/P6..... | Bearing..... | 25x47x12.....1 |
| 87..... | C6140W02724..... | Inner Gear..... | 1 |
| 88..... | 30209..... | Taper Roller Bearing..... | 45x85x19.....1 |
| 89..... | C6140W02723..... | Washer..... | 1 |
| 90..... | C6250B02719..... | Gear..... | 1 |
| 91..... | C6140W02722..... | Connecting Plate..... | 3 |
| 92..... | C6140W02721..... | Gear..... | 1 |
| 93..... | GB1099-8x25..... | Half Circle Key..... | 8x25.....1 |
| 94..... | C6140W02720..... | Shaft VI..... | 1 |
| 95..... | 32308..... | Taper Roller Bearing..... | 40x90x33.....1 |
| 96..... | C6140W02718..... | Cover for Shaft VI Hole..... | 1 |
| 97..... | C6250B02103..... | Stopper for Shaft VI Hole..... | 1 |
| 98..... | GB3452.1-82.5x3.55..... | Ring Seal..... | 82.5x3.55.....1 |
| 99..... | C6140W02729..... | Plug..... | 1 |
| 100..... | GB3452.1-43.7x3.55..... | Ring Seal..... | 43.7x3.55.....1 |

| | | | | | | | | |
|-----|-------|--------------------|-------|-----------|-------|-----------|-------|---|
| 101 | | GB3452.1-54.5x3.55 | | Ring Seal | | 54.5x3.55 | | 1 |
| 102 | | GB3452.1-71x3.55 | | Ring Seal | | 71x3.55 | | 1 |
| 103 | | GB3452.1-65x3.55 | | Ring Seal | | 65x3.55 | | 1 |
| 104 | | GB1096-M6x8 | | Pin | | M6x8 | | 1 |
| 109 | | BB-6208 | | Bearing | | 6208 | | 2 |

Headstock Assembly IV

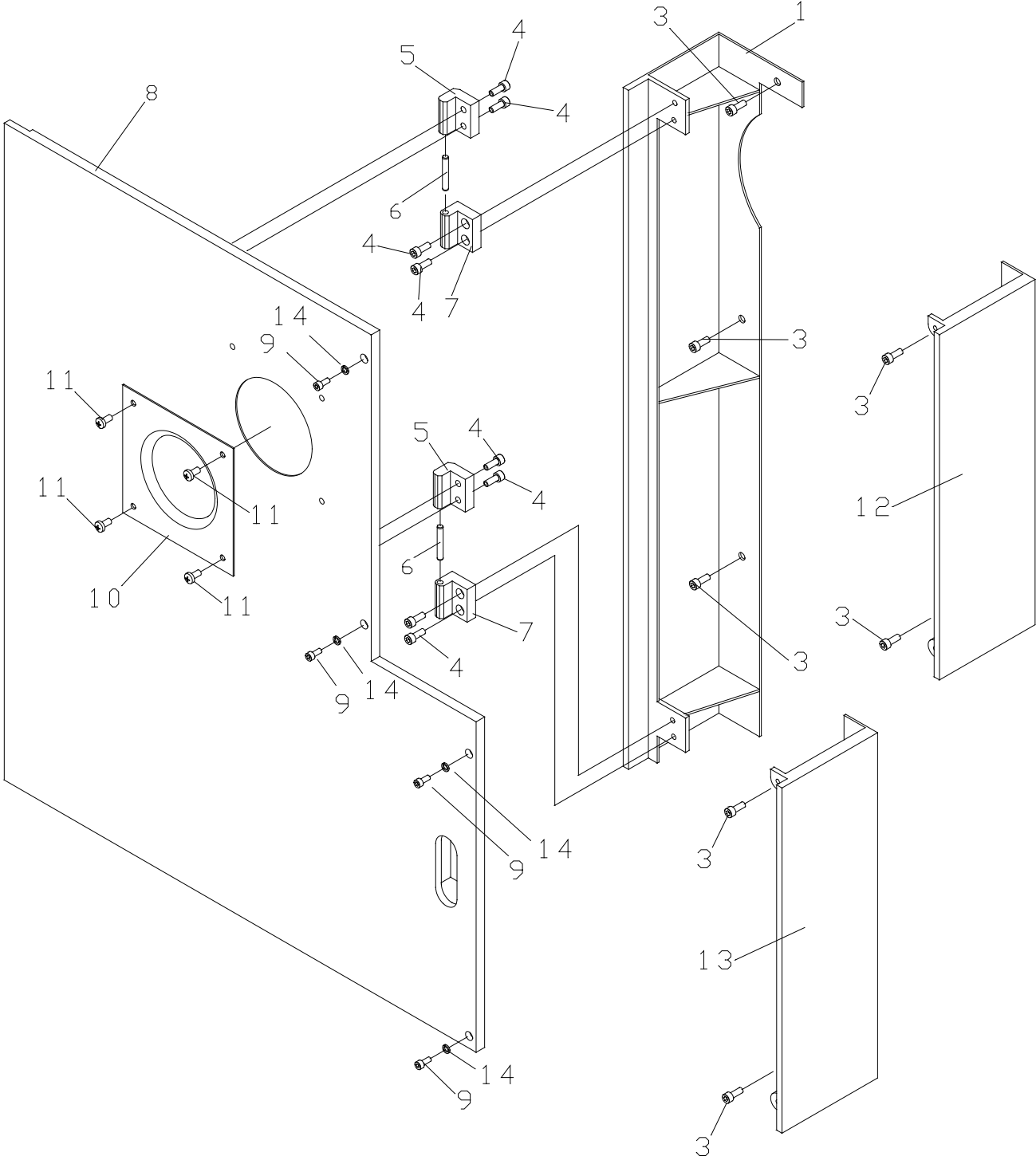


Headstock Assembly IV

| Index No. | Part No. | Description | Size | Qty. |
|-----------|--------------------|---|-------------|------|
| 1 | C6140W0HA01 | Roller Chain | 12.7x46 | 1 |
| 2 | GB894.1-16 | Circlip For Shaft | 16 | 1 |
| 3 | C6140W02808 | Chain Wheel | | 2 |
| 4 | C6140W02807 | Gear | | 1 |
| 5 | C6140W02806 | Sleeve | | 1 |
| 6 | C6140W02803 | Positioning Sleeve | | 1 |
| 7 | GB819- M6x14 | Cross Recessed Head Screw | M6x14 | 8 |
| 8 | C6140W02799 | Lever | | 1 |
| 9 | C6140W02122 | Lever Support | | 1 |
| 11 | GB3452.1-20x2.65 | Ring Seal | 20x2.65 | 1 |
| 12 | GB1096-5x10 | Key | 5x10 | 4 |
| 13 | C6140W02805 | Sleeve | | 1 |
| 14 | GB308-10 | Steel Ball | 10 | 1 |
| 15 | Q81-1- YI-1.6x8x18 | Spring | YI-1.6x8x18 | 1 |
| 16 | C6140W02802 | Positioning Sleeve | | 1 |
| 17 | GB894.1-25 | Circlip For Shaft | 25 | 1 |
| 18 | GB3452.1-12.5x1.8 | Ring Seal | 12.5x1.8 | 1 |
| 19 | C6140W02804 | Lever Shaft | | 1 |
| 20 | C6140W02801 | Lever | | 1 |
| 21 | C6140W-02123 | Lever Shaft | | 1 |
| 22 | C6140W-02821 | Washer | | 1 |
| 23 | GB819- M5x16 | Cross Recessed Head Screw | M5x16 | 1 |
| 24 | C6140W02303 | Speed Label | | 1 |
| 25 | C6140W02119 | Slide Block | | 4 |
| 26 | C6140W02814 | Eccentric Bolt | | 1 |
| 27 | GB6173- M12x1.25 | Hex Flat Screw | M12x1.25 | 1 |
| 28 | C6140W02126 | Cam Rocker | | 1 |
| 29 | C6140W02813 | Pin | | 4 |
| 30 | C6140W02812 | Roller | | 2 |
| 31 | GB117-6x45 | Taper Pin (serial #1209ZH0608 and lower) | 6x45 | 2 |
| | GB877-6x50 | Taper Pin (serial #1301ZH0609 and higher) | 6x50 | 2 |
| 32 | C6140W02125 | Rocker | | 1 |
| 33 | C6250B02830 | Connector | | 1 |
| 34 | C6140W02124 | Cam Rocker | | 1 |
| 35 | C6140W02811 | Shaft | | 2 |
| 36 | GB117-6x30 | Taper Pin (serial #1209ZH0608 and lower) | 6x30 | 1 |
| | GB877-6x35 | Taper Pin (serial #1301ZH0609 and higher) | 6x35 | 1 |
| 37 | C6140W02809 | Small Gear | | 1 |
| 38 | C6140W02791 | Collar | | 2 |
| 39 | C6140W02810 | Shaft | | 1 |
| 40 | GB119-6n6x14 | Pin | 6n6x14 | 1 |
| 41 | C6140W02139 | Rocker | | 1 |
| 42 | C6140W02827 | Shaft | | 1 |
| 43 | C6250B02846 | Screw | | 1 |
| 44 | C6250B02132 | Rocker | | 1 |
| 45 | C6140W02826 | Tightening Wheel | | 1 |
| 46 | C6140W02825 | Pin | | 1 |

| | | | | |
|----|--------------|--------------------|--------|---|
| 47 | GB97.1-12 | Washer | 12 | 1 |
| 48 | C6140W02120 | Rocker | | 1 |
| 49 | C6250B02121 | Cam Rocker | | 1 |
| 50 | C6140W02794 | Positioning Disc | | 1 |
| 51 | C6140W02802 | Positioning Sleeve | | 2 |
| 52 | GB1099-5x19 | Half Circle Key | 5x19 | 1 |
| 53 | C6140W02792 | Shaft | | 1 |
| 54 | C6140W02795 | Shaft | | 1 |
| 55 | GB1099-5x19 | Half Circle Key | 5x19 | 2 |
| 56 | C6140W02823 | Cam | | 1 |
| 57 | C6140W02803 | Positioning Sleeve | | 2 |
| 58 | C6140W02819 | Control Shaft | | 1 |
| 59 | C6140W02134 | Lever Support | | 1 |
| 60 | C6140W02822 | Small Lever | | 1 |
| 61 | C6140W02304 | Label | | 1 |
| 62 | GB73- M12x14 | Slotted Set Screw | M12x14 | 1 |
| 63 | GB894.1-18 | Circlip For Shaft | 18 | 1 |

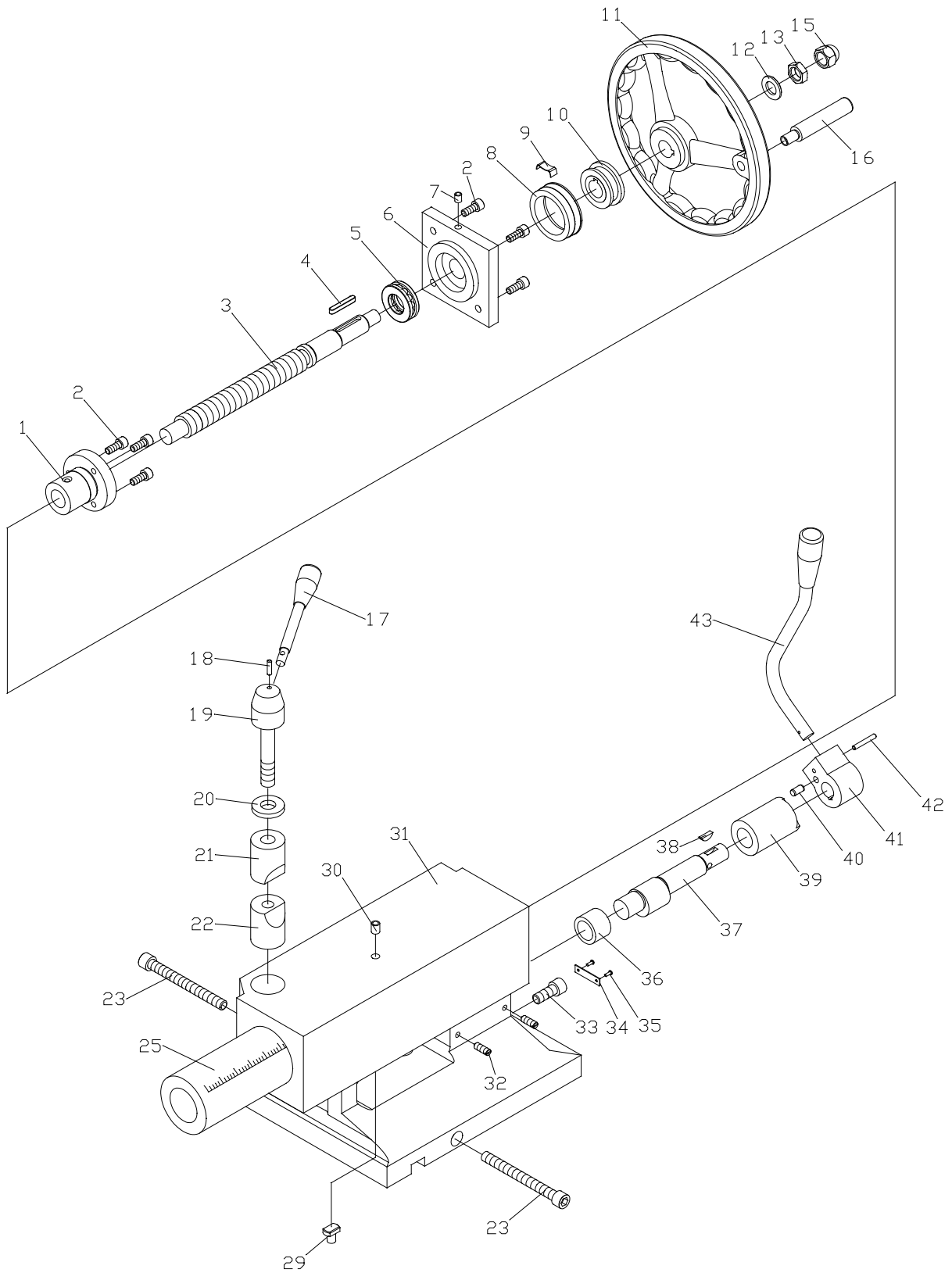
Headstock Assembly V



Headstock Assembly V

| Index No. | Part No. | Description | Size | Qty. |
|-----------|--------------|------------------------|--------|------|
| 1 | C6250B02847 | Rear Side Plate | | 1 |
| 3 | GB70- M8x20 | Hex Socket Cap Screw | M8x20 | 7 |
| 4 | GB70- M6x16 | Hex Socket Cap Screw | M6x16 | 8 |
| 5 | C6266C08706 | Upper Hinge | | 2 |
| 6 | GB119-6h8x40 | Pin | 6h8x40 | 2 |
| 7 | C6266C08707 | Lower Hinge | | 2 |
| 8 | C6250B02849 | Back Cover | | 1 |
| 9 | GB70- M5x12 | Hex Socket Cap Screw | M5x12 | 4 |
| 10 | C6250B02850 | Cover | | 1 |
| 11 | GB67- M6x10 | Slotted Pan Head Screw | M6x10 | 4 |
| 12 | C6250B02848 | Front Side Plate | | 1 |
| 13 | C6140W02846 | Plate | | 1 |
| 14 | GB93-5 | Spring Washer | 5 | 4 |

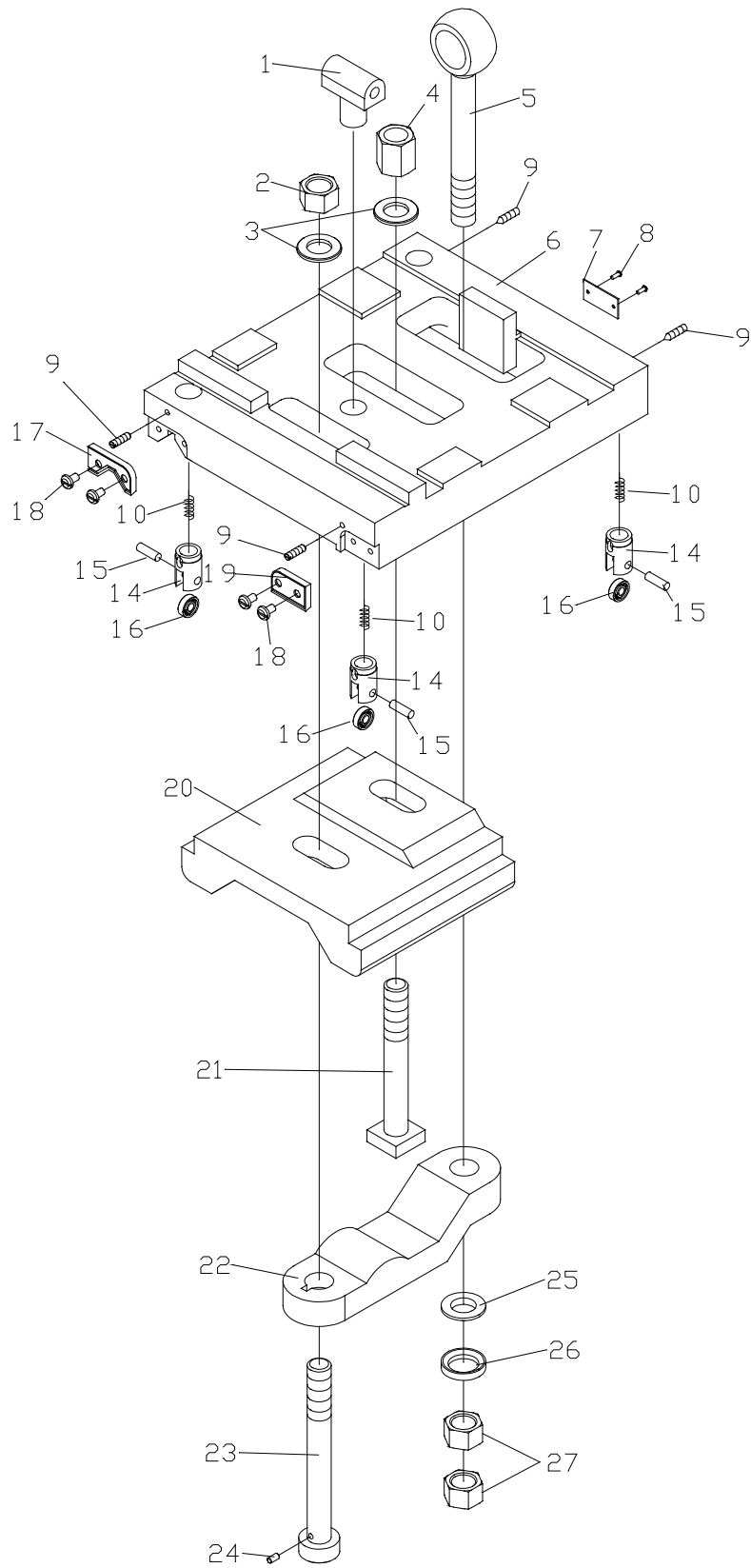
Tailstock Assembly I



Tailstock Assembly I

| Index No. | Part No. | Description | Size | Qty. |
|-----------|----------------|-----------------------------------|----------|------|
| 1 | GH1640ZX03105 | Nut | | 1 |
| 2 | GB70- M8x20 | Hex Socket Cap Screw | M8x20 | 3 |
| 3 | GH1840ZX03710 | Lead Screw | | 1 |
| 4 | GB1096-6x40 | Plain Key | 6x40 | 1 |
| 5 | 51205-25x47x15 | Thrust Bearing | 25x47x15 | 1 |
| 6 | C6250B03105 | Back Cover | | 1 |
| 7 | GB1155-8 | Oil Cup | 8 | 1 |
| 8 | GH1640ZX03708G | Dial | | 1 |
| 9 | C613203711 | Spring Leaf | | 1 |
| 10 | 1440R03706 | Sleeve | | 1 |
| 11 | C6140W03107A | Handlewheel | | 1 |
| 12 | GB97.2-16 | Flat Washer | 16 | 1 |
| 13 | GB6172- M16 | Hex Flat Nut | M16 | 1 |
| 15 | GB923 M16 | Nut | M16 | 1 |
| 16 | C613206710A | Lever | | 1 |
| 17 | C6140W03710 | Lever | | 1 |
| 18 | GB117-5x20 | Straight Pin | 5x20 | 1 |
| 19 | C6140W03715 | Lever Support | | 1 |
| 20 | C6140W03716 | Washer | | 1 |
| 21 | C6140W03717 | Clamping Block | | 1 |
| 22 | C6140W03718 | Clamping Block | | 1 |
| 23 | GB70- M12x120 | Hex Socket Cap Screw | M12x120 | 2 |
| 25 | 1860R03701A | Center Sleeve | | 1 |
| 29 | 1440R03702 | Positioning Block | | 1 |
| 30 | GB1155-10 | Oil Cup | 10 | 1 |
| 31 | C6250B03101 | Tailstock Casting | | 1 |
| 32 | GB71- M8x25 | Slotted Cylindrical End Set Screw | M8x25 | 2 |
| 33 | GB70- M12x25 | Hex Socket Cap Screw | M12x25 | 1 |
| 34 | C6140W03502 | Panel | | 1 |
| 35 | GB67- M6x10 | Hex Socket Cap Screw | M6x10 | 2 |
| 36 | C6140W03103 | Sleeve | | 1 |
| 37 | C6250B03704 | Eccentric Shaft | | 1 |
| 38 | GB117-6x45 | Half Round Key | 6x45 | 1 |
| 39 | C6250B03103 | Sleeve | | 1 |
| 40 | GB119-8x15 | Pin | 8x15 | 1 |
| 41 | C6250B03104 | Lever Sleeve | | 1 |
| 42 | GB117-5x40 | Taper Pin | 5x40 | 1 |
| 43 | C6250B03705 | Lock Handle | | 1 |

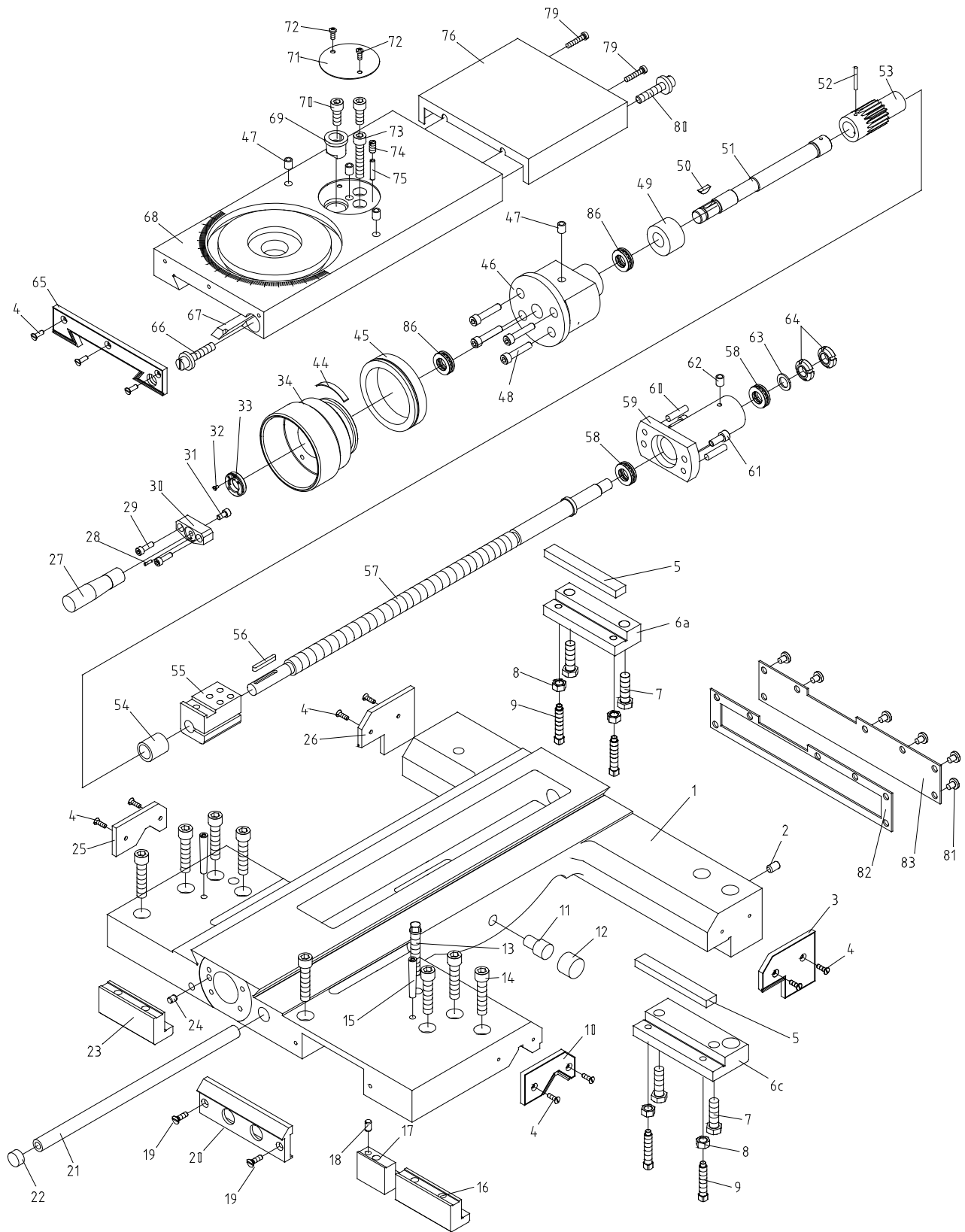
Tailstock Assembly II



Tailstock Assembly II

| Index No. | Part No. | Description | Size | Qty. |
|-----------|------------------|---|---------|------|
| 1 | C6140W03110 | Nut | | 1 |
| 2 | GB6171- M20x1.5 | Hex Nut | M20x1.5 | 1 |
| 3 | GB97.2-20 | Slotted Pan Head Screw | .20 | 1 |
| 4 | GB56-M20 | Hex Thick Nut | M20 | 1 |
| 5 | C6250B03703 | Pulling Rod | | 1 |
| 6 | C6250B03102 | Sliding Base | | 1 |
| 7 | C613203303 | Sign Plate | | 1 |
| 8 | GB867-3x8 | Half Circle Rivet | .3x8 | 2 |
| 9 | GB75- M6x16 | Slotted Cylindrical End Set Screw | M6x16 | 4 |
| 10 | GB2089-1.8x14x18 | Spring (serial #1202ZH0520 and higher) | | 4 |
| 11 | C6140W03711 | Washer (serial #1202ZH0519 and lower) | | 4 |
| 12 | C6140W03712 | Clamping Block (serial #1202ZH0519 and lower) | | 4 |
| 14 | C6140W03713 | Bearing Support | | 4 |
| 15 | C6140W03714 | Small Axle | | 4 |
| 16 | 607 | Ball Bearing | .7x19x6 | 4 |
| 17 | C6140W03502 | Wipe Plate | | 1 |
| 18 | GB67- M6x10 | Slotted Pan Head Screw | M6x10 | 4 |
| 19 | C6140W03503 | Wipe Plate | | 1 |
| 20 | C6140W03104 | Clamping Block | | 1 |
| 21 | C6250B03702 | Screw | | 1 |
| 22 | C6140W03111 | Clamping Block | | 1 |
| 23 | C6250B03701 | Screw | | 1 |
| 24 | GB119-5x10 | Straight Pin | .5x10 | 1 |
| 25 | GB850-20 | Taper Washer | .20 | 1 |
| 26 | GB849-20 | Ball Washer | .20 | 1 |
| 27 | GB6173- M20x1.5 | Hex Nut | M20x1.5 | 2 |

Tool Post Assembly I

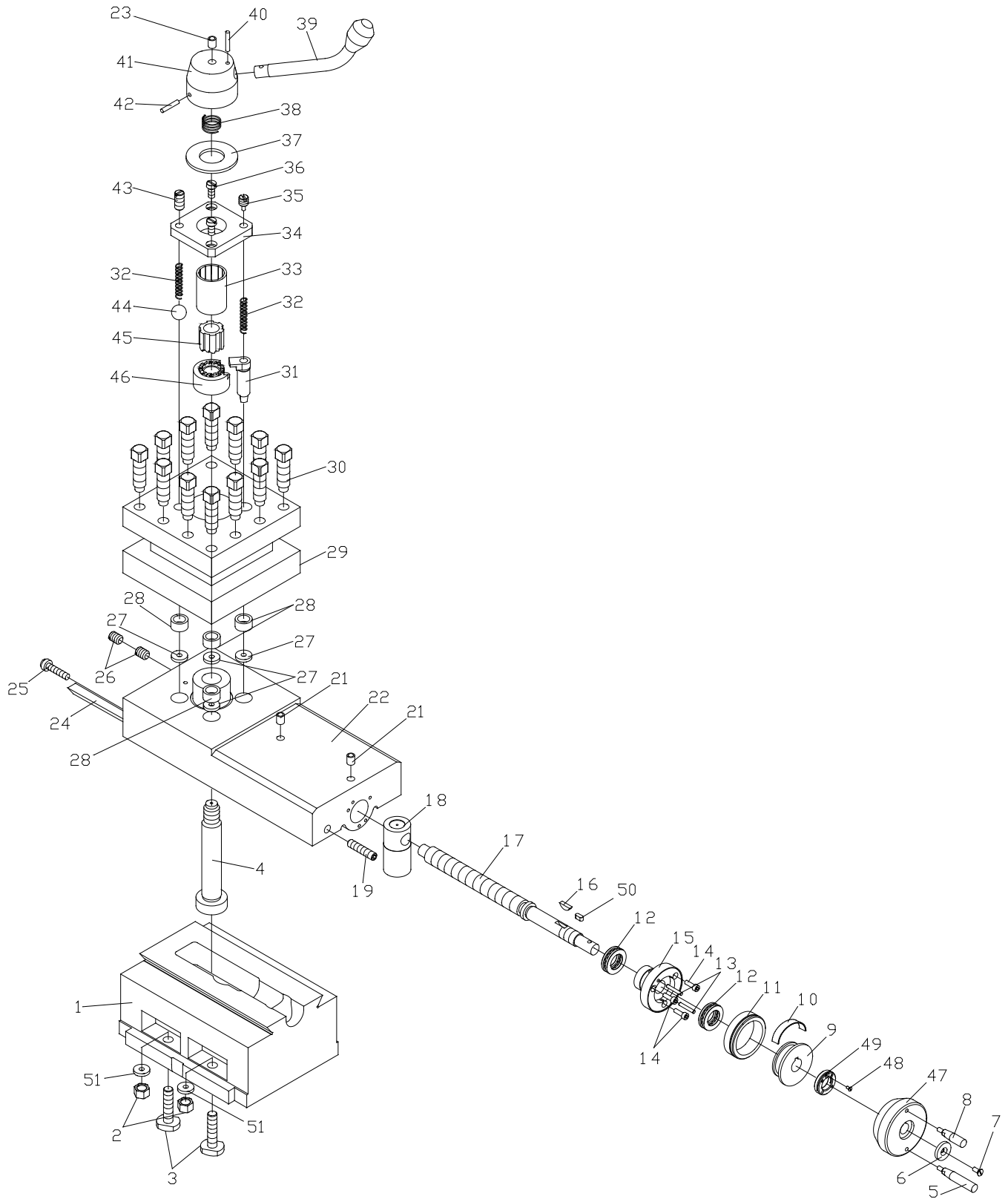


Tool Post Assembly I

| Index No. | Part No. | Description | Size | Qty. |
|-----------|-----------------|---|---------|------|
| 1 | C6250B04101 | Slide | | 1 |
| 2 | GB73- M10x16 | Slotted Set Screw | M10x16 | 1 |
| 3 | C6140W04503 | Wipe Plate | | 1 |
| 4 | GB818- M5x16 | Cross Head Screw | M5x16 | 8 |
| 5 | C6140W04107 | Lining Plate | | 2 |
| 6a | C6140W04718 | Clamping Plate | | 1 |
| 6c | C6140W04720 | Clamping Plate | | 1 |
| 7 | GB70- M12x45 | Hex Socket Cap Screw | M12x45 | 4 |
| 8 | GB6170- M10 | Hex Nut | M10 | 4 |
| 9 | GB85- M10x35 | Square Set Screw | M10x35 | 4 |
| 10 | C6140W04501 | Wipe Plate | | 1 |
| 11 | 1440R04788 | Stop Pin | | 1 |
| 12 | 1440R047507 | Stop Pin Cap | | 1 |
| 13 | GB83- M12x70 | Square Cap Bolt | M12x70 | 1 |
| 14 | GB70- M12x55 | Hex Socket Cap Screw | M12x55 | 8 |
| 15 | GB119-8x70 | Pin | 8x70 | 2 |
| 16 | C6140W04713 | Front Clamping Plate | | 1 |
| 17 | C6140W04712 | Locking Plate | | 1 |
| 18 | GB119-8n6x20 | Pin | 8n6x20 | 1 |
| 19 | GB68- M6x22 | Recessed Sunk Head Screw | M6 x 22 | 2 |
| 20 | C6140W04715 | Switch Seat | | 1 |
| 21 | C6140W04711 | Line Pipe | | 1 |
| 22 | C6140W04106 | Plug | | 2 |
| 23 | C6140W04720 | Back Clamping Block | | 1 |
| 24 | GB119-8n6x10 | Pin | 8n6x10 | 3 |
| 25 | C6140W04505 | Wipe Plate | | 1 |
| 26 | C6140W04504 | Wipe Plate | | 1 |
| 27 | | Handle(serial #0811ZH0352 and higher) | | 1 |
| 28 | GB119-3x12 | Pin(serial #0811ZH0352 and higher) | 3x12 | 1 |
| 29 | GB70- M6x20 | Hex Socket Cap Screw(serial #0811ZH0352 and higher) | M6x20 | 2 |
| 30 | C6266C04756J | Fixed Seat(serial #0811ZH0352 and higher) | | 1 |
| 31 | GB70-M6x12 | Hex Socket Cap Screw(serial #0811ZH0352 and higher) | M6x12 | 1 |
| 32 | GB68- M3x6 | Slotted Head Screw(serial #0811ZH0352 and higher) | M3x6 | 1 |
| 33 | C6266C04758J | Locking Nut(serial #0811ZH0352 and higher) | | 1 |
| 34 | C6266C04755J | Handle Seat(serial #0811ZH0352 and higher) | | 1 |
| 44 | C6266C04718 | Spring Leaf | | 1 |
| 45 | C6266C04735G(m) | Dial | | 1 |
| 46 | C6250B04107 | Screw Support(serial #0809ZH0351 and lower) | | 1 |
| | C6250B04107J | Screw Support(serial #0811ZH0352 and higher) | | 1 |
| 47 | GB1155-6 | Oil Cup | 6 | 1 |
| 48 | GB70- M8x20 | Hex Socket Cap Screw(serial #0809ZH0351 and lower) | M8x20 | 4 |
| | GB70- M8x40 | Hex Socket Cap Screw(serial #0811ZH0352 and higher) | M8x40 | 4 |
| 49 | C6250B04109 | Sleeve | | 1 |
| 50 | GB1099-5x19 | Half Circle Key | 5x19 | 1 |

| | | | |
|----|----------------------------|---|------------------|
| 51 | C6250B04726..... | Shaft(serial #0809ZH0351 and lower)..... | 1 |
| | C6250B04726J..... | Shaft(serial #0811ZH0352 and higher) | 1 |
| 52 | GB117-4x35..... | Taper Pin | 4x35.....1 |
| 53 | C6266C04705 | Shaft | 1 |
| 54 | C6266C04103 | Sleeve..... | 1 |
| 55 | C6140W04301(m) | Nut | 1 |
| 56 | GB1096-5x40..... | Flat Key | 5x40.....1 |
| 57 | C6266C04701(m) | Lead Screw..... | 1 |
| 58 | 51103 | Thrust Bearing | 17x30x9.....2 |
| 59 | C6266C04110..... | Bracket | 1 |
| 60 | GB117-8x40..... | Taper Pin | 8x40.....2 |
| 61 | GB70 -M8x20..... | Hex Socket Cap Screw | M8x20.....2 |
| 62 | GB1155-6..... | Oil Cup..... | 6 |
| 63 | C6266C04702 | Washer | 1 |
| 64 | GB812- M14x1.5 | Round Nut | M14x1.5.....2 |
| 65 | C6140W04506..... | Wipe Plate | 1 |
| 66 | C6266C04727 | Gib Setting Screw..... | 1 |
| 67 | C6250B04728..... | Cross Slide Gib..... | 1 |
| 68 | C6250B04102..... | Cross Slide | 1 |
| 69 | C6250B04701..... | Sleeve..... | 1 |
| 70 | GB70- M10x25 | Hex Socket Cap Screw | M10x25.....2 |
| 71 | C6140W04714..... | Cover | 1 |
| 72 | GB818- M5x8..... | Cross Recessed Pan Head Screw | M5x8.....2 |
| 73 | GB70- M10x55 | Hex Socket Cap Screw | M10x55.....1 |
| 74 | GB73- M8x20..... | Slotted Set Screw | M8x20.....1 |
| 75 | GB119-6x35..... | Pin..... | 6x35.....1 |
| 76 | C6256C04703 | Splash Guard..... | 1 |
| 79 | GB65- M6x30..... | Slotted Socket Cap Screw..... | M6x30.....2 |
| 80 | C6266C04727 | Gib Adjusting Screw | 2 |
| 81 | GB818- M6x8..... | Cross Recessed Pan Head Screw | M6x8.....7 |
| 82 | C6266C04502A | Liner..... | 1 |
| 83 | C6266C04729A | Cover Plate | 1 |
| 84 | C6266CCA84..... | Turcite-B (not shown) | 620x50x0.8.....1 |
| 85 | C6266CCA85..... | Turcite-B (not shown) | 620x30x0.8.....2 |
| 86 | 51104 | Bearing(serial #1204ZH0543 and higher)..... | 2 |

Tool Post Assembly II

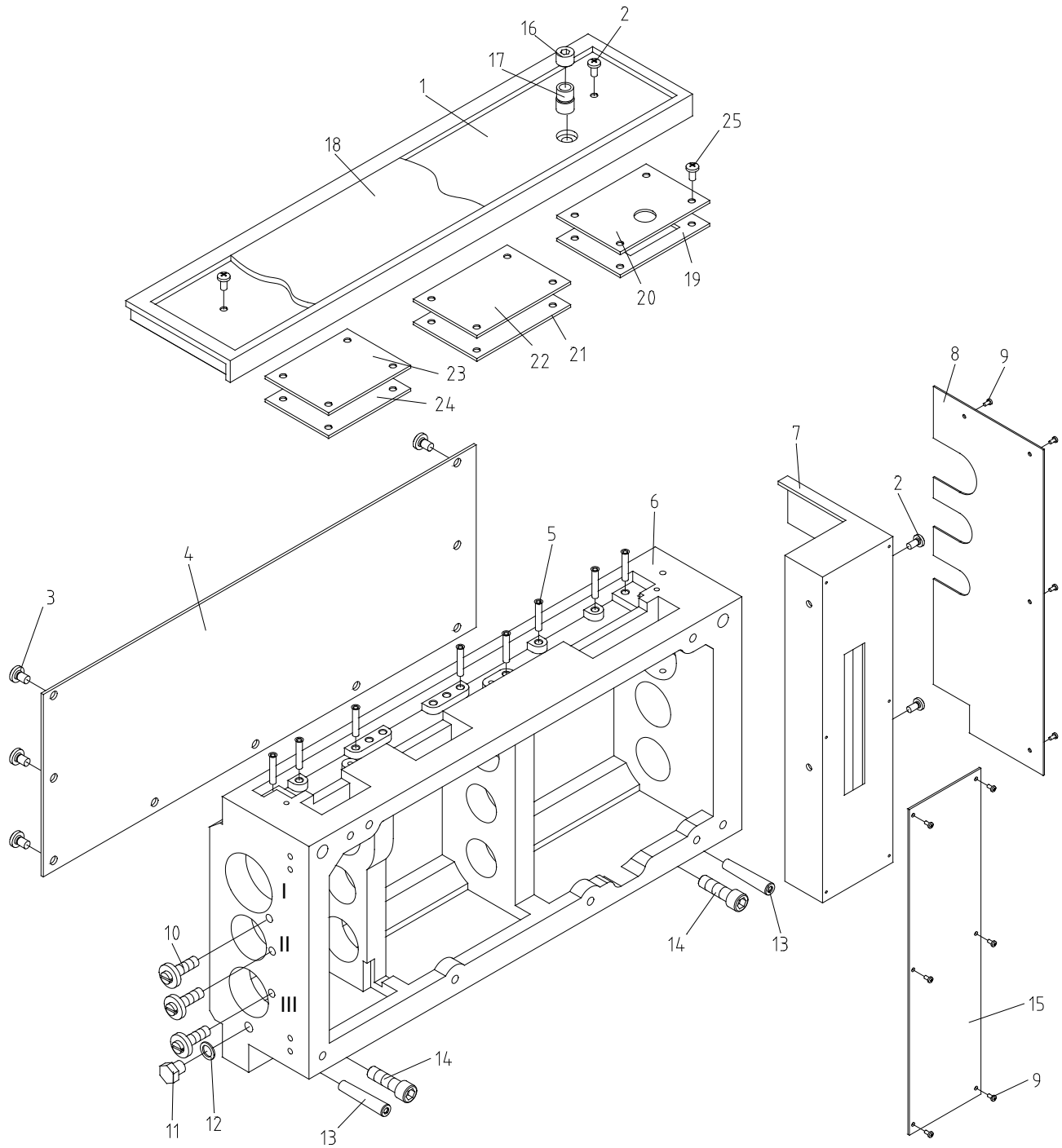


Tool Post Assembly II

| Index No. | Part No. | Description | Size | Qty. |
|-----------|------------------|---|-----------|------|
| 1 | C6250B04103 | Revolving Plate | | 1 |
| 2 | GB6170- M12 | Hex Nut | M12 | 4 |
| 3 | C6250B04702 | Compound Screw | | 4 |
| 4 | C6266C04707 | Shaft | | 1 |
| 5 | C6140W04737 | Handle | | 2 |
| 6 | C6140W04738 | Lever(serial #0809ZH0351 and lower) | | 1 |
| | GB891- B25 | Circlip(serial #0811ZH0352 and higher) | B25 | 1 |
| 7 | GB117-5 x 30 | Taper Pin(serial #0809ZH0351 and lower) | 5 x 30 | 1 |
| | GB819- M5 x 12 | Cross Recessed Head Screw | M5 x 12 | 1 |
| 8 | GB812- M18 x 1.5 | Round Nut(serial #0809ZH0351 and lower) | M18 x 1.5 | 2 |
| | C6266C04757J | Handle(serial #0811ZH0352 and higher) | | 1 |
| 9 | C6140W04110 | Dial | | 1 |
| 10 | C6140W04739 | Spring Leaf | | 1 |
| 11 | C6266C04736G(m) | Dial | | 1 |
| 12 | 51104 | Thrust Bearing | .20x35x10 | 2 |
| 13 | GB117-4x25 | Taper Pin | 4x25 | 2 |
| 14 | GB70- M5x14 | Hex Socket Cap Screw | M5x14 | 3 |
| 15 | C6140W04111 | Bearing | | 1 |
| 16 | GB1099-5x7.5x19 | Half Circle Key | 5x7.5x19 | 1 |
| 17 | C6140W04741(m) | Lead Screw(serial #0809ZH0351 and lower) | | 1 |
| | C6266C04734J | Lead Screw(serial #0811ZH0352 and higher) | | 1 |
| 18 | C6266C04301Y(m) | Nut | | 1 |
| 19 | GB77- M12x70 | Hexagon Socket Set Screws | M12x70 | 1 |
| 21 | GB1155-10 | Oil Cup | 10 | 2 |
| 22 | C6250B04104 | Longitudinal Slide | | 1 |
| 23 | GB1155-6 | Oil Cup | 6 | 1 |
| 24 | C6266C04717 | Slide Gib | | 1 |
| 25 | C6266C04716 | Adjust Screw | | 1 |
| 26 | GB73- M10x20 | Slotted Set Screw | M10x20 | 2 |
| 27 | C6140W04727 | Washer | | 4 |
| 28 | C6140W04728 | Positioning Sleeve | | 4 |
| 29 | C6266C04708 | Tool Post(serial #0809ZH0351 and lower) | | 1 |
| | C6266C04708J | Tool Post(serial #0811ZH0352 and higher) | | 1 |
| 30 | GB83- M16x50 | Square Cap Bolt | M16x50 | 12 |
| 31 | C6266C04715 | Positioning Pin | | 1 |
| 32 | Q81-1-1.6x8x98 | Spring | 1.6x8x98 | 2 |
| 33 | C6266C04712 | Spline | | 1 |
| 34 | C6266C04709 | Flange Disc | | 1 |
| 35 | C6140W04732 | Bolt | | 1 |
| 36 | GB70- M8x16 | Hex Socket Cap Screw | M8x16 | 2 |
| 37 | C6266C04710 | Adjust Washer | | 1 |
| 38 | Q81-1-3x32x55 | Spring | 3x32x55 | 1 |
| 39 | C6266C04711 | Handle | | 1 |
| 40 | GB119-5n6x32 | Pin | 5n6x32 | 1 |
| 41 | C6266C04106 | Lever Support | | 1 |
| 42 | GB117-4x40 | Taper Pin | 4x40 | 1 |

| | | | | |
|---------|---------------------|--|-------------|---|
| 43..... | GB73- M12x14 | Slotted Set Screw | M12x14..... | 1 |
| 44..... | GB308-19 | Boll..... | 19 | 1 |
| 45..... | C6266C04713 | Connector | | 1 |
| 46..... | C6266C04714 | Connector | | 1 |
| 47..... | C6266C04752JA | Handle Seat(serial #0811ZH0352 and higher) | | 1 |
| 48..... | GB68- M3×6 | Slotted Head Screw(serial #0811ZH0352 and higher) | M3×6 | 1 |
| 49..... | C6266C04758J..... | Locking Nut(serial #0811ZH0352 and higher)..... | | 1 |
| 50..... | GB1096-5×12 | Flat Key(serial #0811ZH0352 and higher)..... | 5×12 | 1 |
| 51..... | GB97.2-12 | Washer | 12 | 4 |

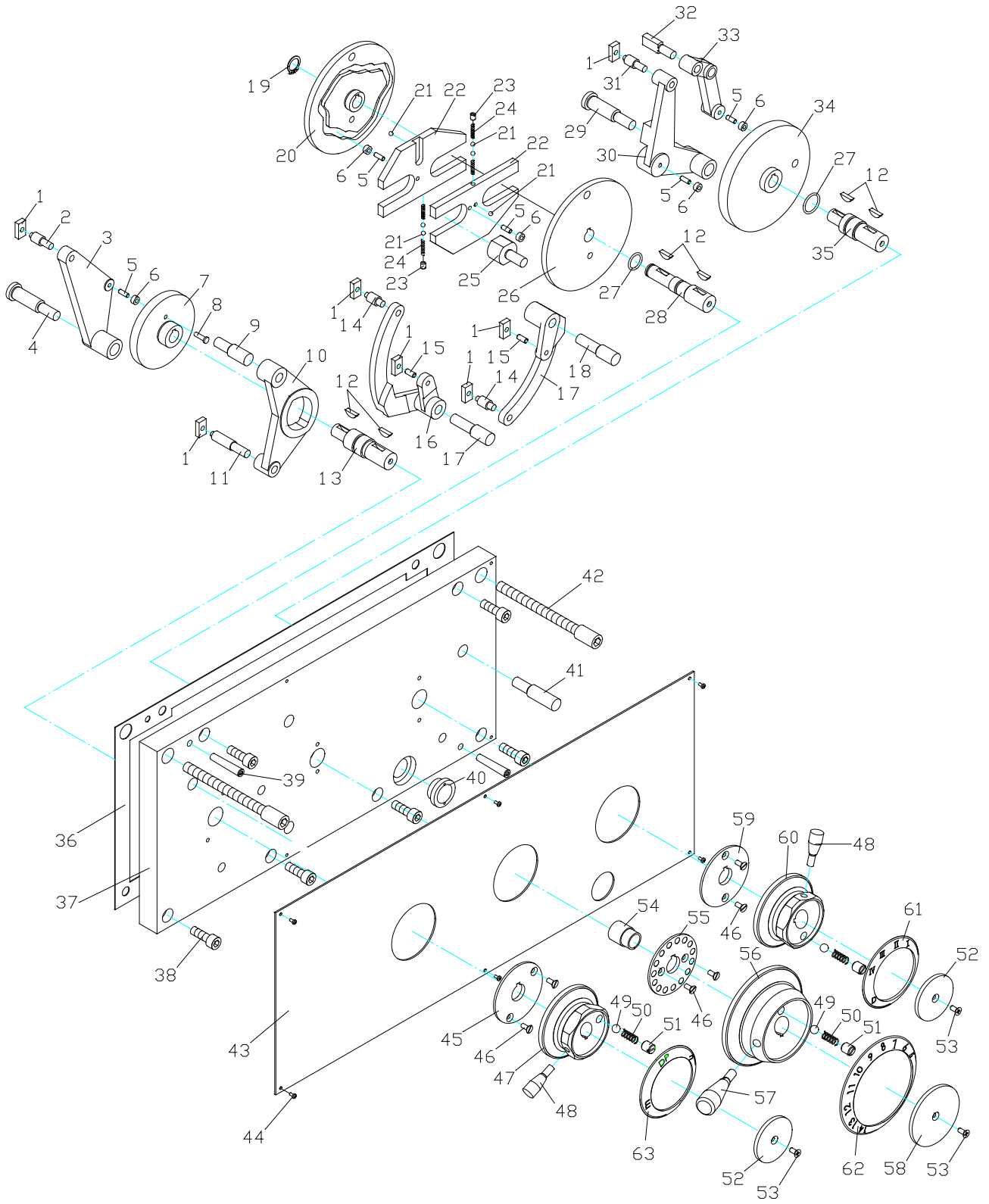
Gear Box Assembly I



Gear Box Assembly I

| Index No. | Part No. | Description | Size | Qty. |
|-----------|-----------------|--------------------------------|---------|------|
| 1 | C6140W05A504 | Upper Cover | | 1 |
| 2 | GB70- M6x40 | Hex Socket Cap Screw | M6x40 | 2 |
| 3 | GB818- M8x12 | Cross Recessed Pan Head Screws | M8x12 | 9 |
| 4 | C6140W05A729 | Back Cover | | 1 |
| 5 | C6140W05302 | Copper Pipe | | 12 |
| 6 | C6140W05A101 | Feed Box Casting | | 1 |
| 7 | C6140W05766 | Casting | | 1 |
| 8 | C6140W05765 | Side Splash Guard | | 1 |
| 9 | GB818- M3x6 | Cross Recessed Pan Head Screws | M3x6 | 8 |
| 10 | C6140W05A728 | Bolt With Washer | | 3 |
| 11 | G38-2A- M12x1.5 | Bolt | M12x1.5 | 1 |
| 12 | G52-1-12 | Washer | 12 | 1 |
| 13 | GB118-10x60 | Taper Pin | 10x60 | 2 |
| 14 | GB70- M12x40 | Hex Socket Cap Screw | M12x40 | 2 |
| 15 | C6140W05303 | Panel | | 1 |
| 16 | G38-4- M16x1.5 | Plug | M16x1.5 | 1 |
| 17 | C6140W05770 | Oil Pipe | | 1 |
| 18 | C6140W05503 | Washer | | 1 |
| 19 | C6266C05502 | Washer | | 1 |
| 20 | C6140W05773 | Washer | | 1 |
| 21 | C6266C05502 | Washer | | 1 |
| 22 | C6266C05768 | Washer | | 1 |
| 23 | C6140W05772 | Washer | | 1 |
| 24 | C6266C05501 | Washer | | 1 |
| 25 | GB818- M6x12 | Cross Recessed Pan Head Screw | M6x12 | 12 |

Gear Box Assembly II

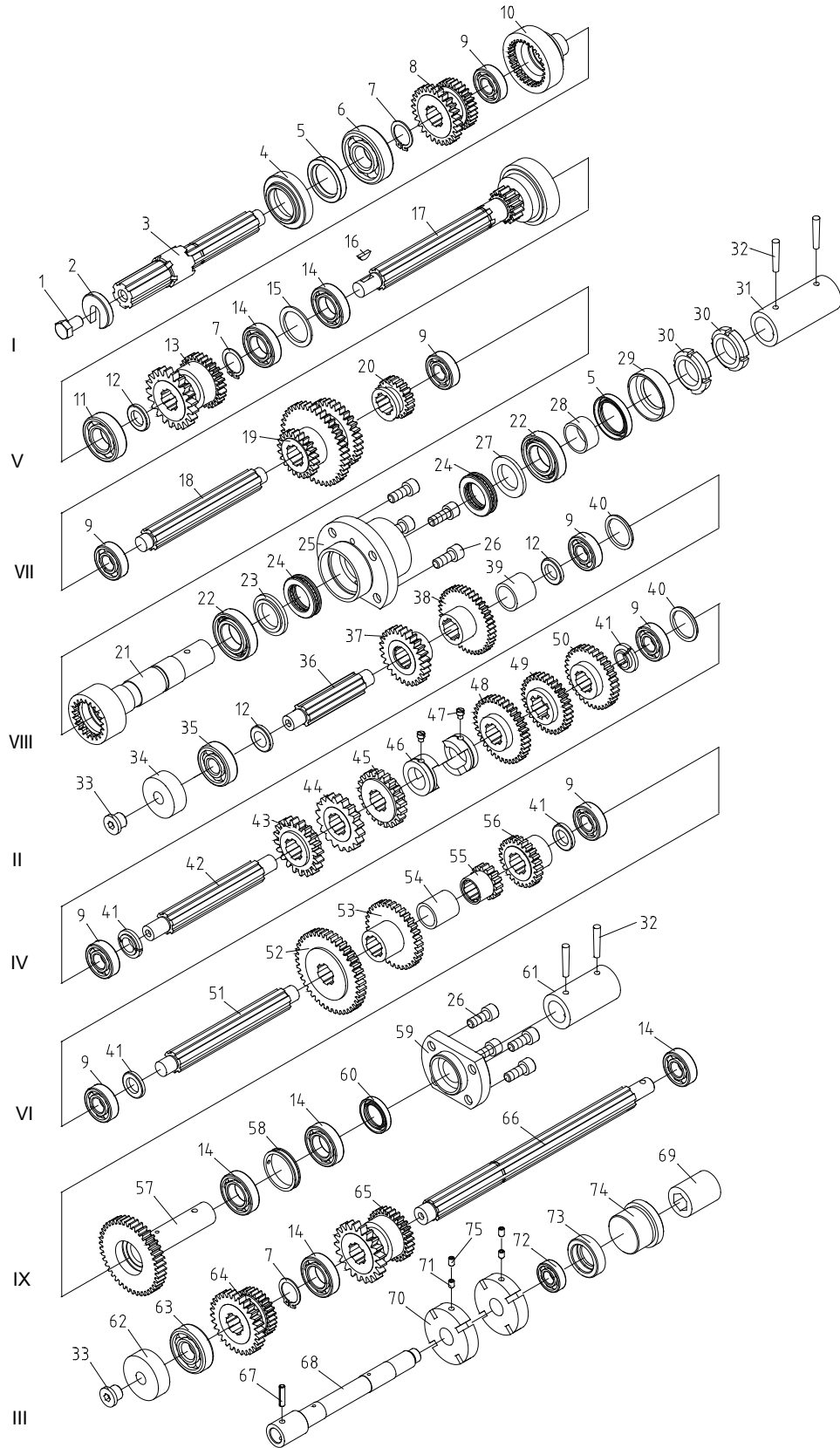


Gear Box Assembly II

| Index No. | Part No. | Description | Size | Qty. |
|-----------|-----------------|--------------------------------|-----------|------|
| 1 | C6140W05109 | Sliding Block | | 7 |
| 2 | C6140W05A701 | Shaft | | 2 |
| 3 | C6140W05A105 | Ratio Change Rocker | | 1 |
| 4 | C6140W05709 | Rocker Shaft | | 2 |
| 5 | GB119-5x14 | Pin | 5x14 | 6 |
| 6 | C6140W05720 | Roller | | 6 |
| 7 | C6140W05A708 | Cam | | 1 |
| 8 | C6140W05A703 | Roller Shaft | | 1 |
| 9 | C6140W05702 | Shaft | | 1 |
| 10 | C6140W05A103 | Rocker | | 1 |
| 11 | C6140W05A710 | Shaft | | 1 |
| 12 | GB1099-5x19 | Key | 5x19 | 6 |
| 13 | C6140W05707 | Shaft | | 1 |
| 14 | C6140W05A711 | Shaft | | 1 |
| 15 | GB119-6x14 | Pin | 6x14 | 2 |
| 16 | C6140W05A110 | Shaft | | 1 |
| 17 | C6140W05A106 | Upper Rocker | | 1 |
| 18 | C6140W05712 | Shaft | | 1 |
| 19 | GB894.1-16 | C-clip For Shaft | 16 | 1 |
| 20 | C6140W05A717 | Cam | | 1 |
| 21 | GB308-5 | Steel Ball | 5 | 6 |
| 22 | C6140W05A719 | Pulley | | 2 |
| 23 | GB73- M6x8 | Set Screw | M6x8 | 2 |
| 24 | Q81-1-0.6x4 x20 | Spring | 0.6x4 x20 | 4 |
| 25 | C6140W05A718 | Positioning Column | | 1 |
| 26 | C6140W05109 | Sliding Block | | 1 |
| 27 | G51-2A-25 x2.4 | Ring Seal | 25 x2.4 | 2 |
| 28 | C6140W05A716 | Handle Axle | | 1 |
| 30 | C6140W05A112 | Rocker | | 1 |
| 31 | C6140W05A721 | Shaft | | 1 |
| 32 | C6140W05A722 | Shaft | | 1 |
| 33 | C6140W05A111 | Rocker | | 1 |
| 34 | C6140W05A725 | Cam | | 1 |
| 35 | C6140W05A723 | Shaft | | 1 |
| 36 | C6140W05A501 | Washer | | 1 |
| 37 | C6140W05A115 | Front Cover | | 1 |
| 38 | GB70- M10x30 | Hex Socket Cap Screw | M10x30 | 6 |
| 39 | GB118-8x50 | Pin | 8x50 | 2 |
| 40 | C6266CGBA40 | Oil Sight Glass | | 1 |
| 41 | C6140W05721 | Shaft | | 1 |
| 42 | C6140W05A727 | Hex Socket Cap Screw | | 1 |
| 43 | C6266C05301A-7 | Panel | | 1 |
| 44 | GB818- M3x6 | Cross Recessed Pan Head Screws | M3x6 | 6 |
| 45 | C6140W05A704 | Positioning Disc | | 1 |
| 46 | GB68- M6x12 | Recessed Sunk Head Screw | M6x12 | 6 |
| 47 | C6140W05A104 | Lever Support | | 1 |
| 48 | C6140W05705 | Lever | | 2 |

| | | | | |
|---------|----------------------|---------------------------------|---------------|---|
| 49..... | GB308-10 | Steel Ball..... | 10 | 3 |
| 50..... | Q81-1-1.6x8x28 | Spring | 1.6x8x28..... | 3 |
| 51..... | GB73- M12x14 | Slotted Set Screws | M12x14..... | 3 |
| 52..... | C6140W05706..... | Disk..... | | 2 |
| 53..... | GB819- M5x12 | Cross Recessed Head Screws..... | M5x12..... | 3 |
| 54..... | C6140W05A108 | Sleeve..... | | 1 |
| 55..... | C6140W05A713 | Positioning Disc..... | | 1 |
| 56..... | C6140W05A107 | Lever Support..... | | 1 |
| 57..... | C6140W05714..... | Lever..... | | 1 |
| 58..... | C6140W05715 | Cover | | 1 |
| 59..... | C6140W05A724 | Positioning Disc..... | | 1 |
| 60..... | C6140W05A113 | Lever Support..... | | 1 |
| 61..... | C6140W05308 | Handle Panel | | 1 |
| 62..... | C6140W05A307 | Handle Panel | | 1 |
| 63..... | C6140W05306 | Handle Panel | | 1 |

Gear Box Assembly III

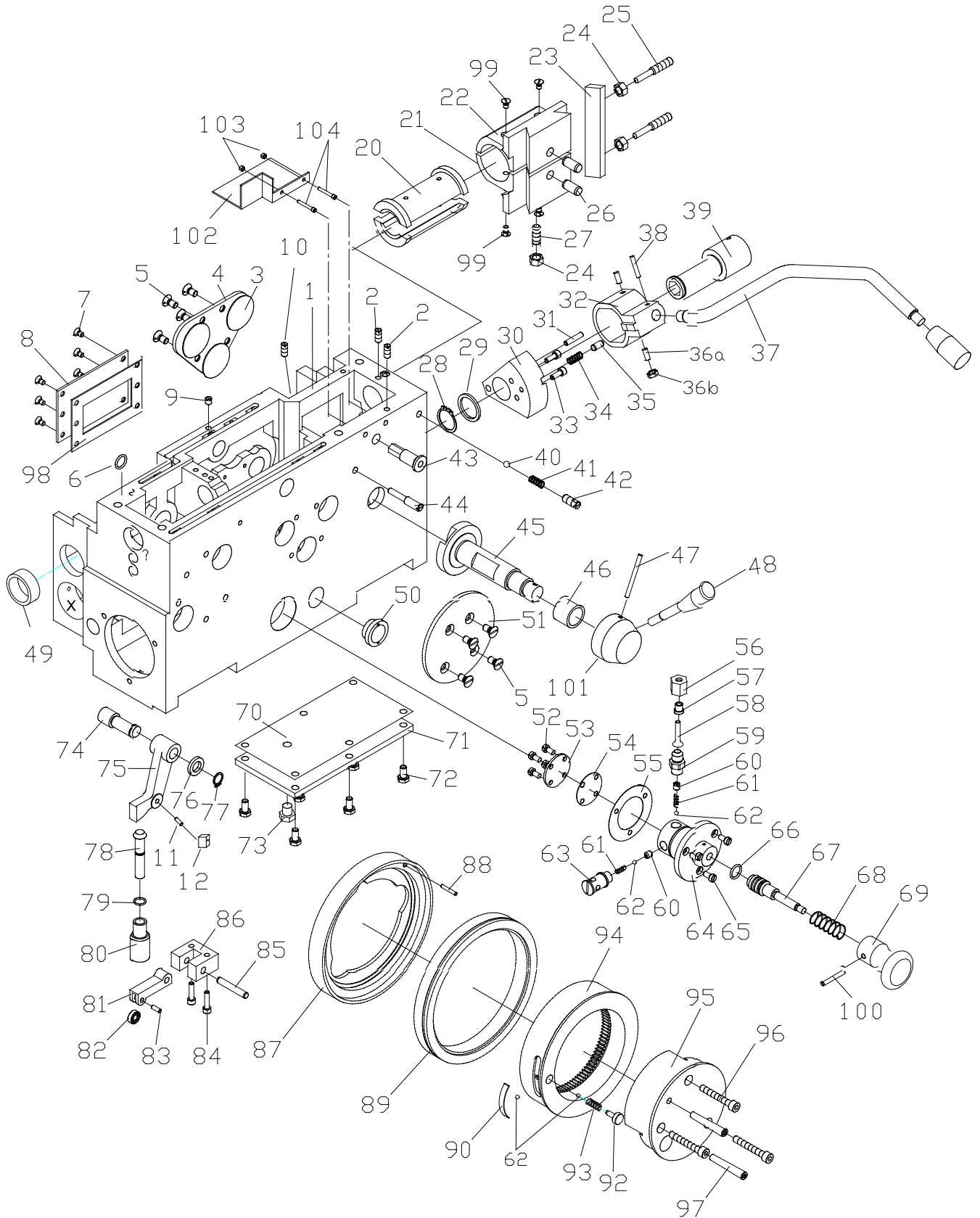


Gear Box Assembly III

| Index No. | Part No. | Description | Size | Qty. |
|-----------|------------------|---|-----------|------|
| 1 | GB5783- M12x20 | Hexagon Head Bolts | M12x20 | 1 |
| 2 | GB851- A12x40 | Washers With Split | A12x40 | 1 |
| 3 | C6140W05A730 | I Shaft | | 1 |
| 4 | C6140W05A116 | Bearing Cover(fserial #0808ZH0339 and lower) | | 1 |
| | C6266C05772J | Bearing Cover (serial #0809ZH0340 and higher) | | 1 |
| 5 | G51-1-35 | Felt Washer(serial #0808ZH0339 and lower) | 35 | 2 |
| | G51-1- B-35x50x8 | Felt Washer(serial #0809ZH0340 and higher) | B-35x50x8 | 2 |
| 6 | 6305 | Bearing | 25x62x17 | 1 |
| 7 | GB894.1-25 | C-clip For Shaft | 25 | 3 |
| 8 | C6140W05731 | Double Gear | | 1 |
| 9 | 6203 | Bearing | 17x40x12 | 7 |
| 10 | C6140W05732 | Gear | | 1 |
| 11 | 6205 | Bearing | 25x52x15 | 1 |
| 12 | C6140W05127 | Washer | | 3 |
| 13 | C6140W05733 | Double Gear | | 2 |
| 14 | 6005 | Bearing | 25x47x12 | 4 |
| 15 | C6140W05736 | Sleeve | | 2 |
| 16 | GB1099-4x16 | Key | 4x16 | 1 |
| 17 | C6140W05A735 | V Shaft | | 1 |
| 18 | C6140W05A738 | VII Shaft | | 1 |
| 19 | C6140W05737 | Triple Gear | | 1 |
| 20 | C6140W05739 | Gear | | 1 |
| 21 | C6140W05743 | VIII Shaft | | 1 |
| 22 | 16006 | Bearing | 30x55x9 | 2 |
| 23 | C6140W05740 | Sleeve | | 2 |
| 24 | 51106 | Bearing | 30x47x11 | 2 |
| 25 | C6140W05A117 | Flange Sleeve | | 1 |
| 28 | C6140W05A118 | Sleeve(fserial #0808ZH0339 and lower) | | 1 |
| | C6266C05773J | Sleeve(serial #0809ZH0340 and higher) | | 1 |
| 29 | C6140W05A741 | Bearing Cover(serial #0808ZH0339 and lower) | | 1 |
| | C6266C05741J | Bearing Cover(serial #0809ZH0340 and higher) | | 1 |
| 30 | C6140W05742 | Round Nut | | 2 |
| 31 | C6140W05119 | Shaft | | 1 |
| 32 | GB117-6x40 | Taper Pin | 6x40 | 4 |
| 33 | G38-4A- M16x1.5 | Plug | M16x1.5 | 2 |
| 34 | C6140W05128 | Bearing Cover | | 1 |
| 35 | 6303 | Bearing | 17x47x14 | 1 |
| 36 | C6140W05A762 | II Shaft | | 1 |
| 37 | C6140W05763 | Gear | | 1 |
| 38 | C6140W05764 | Gear | | 1 |
| 39 | C6140W05125 | Sleeve | | 1 |
| 40 | C6140W05751 | Sleeve | | 2 |
| 41 | C6140W05A752 | Adjust Washer | | 4 |
| 42 | C6140W05A754 | IV Shaft | | 1 |
| 43 | C6140W05A759 | Gear | | 1 |
| 44 | C6140W05758 | Gear | | 1 |

| | | | |
|---------|----------------------|--|---|
| 45..... | C6140W05757..... | Gear..... | 1 |
| 46..... | C6140W05A734..... | Positioning Sleeve..... | 1 |
| 47..... | GB75- M8x10..... | Slotted Set ScrewsM8x10..... | 2 |
| 48..... | C6140W05756..... | Gear..... | 1 |
| 49..... | C6140W05755..... | Gear..... | 1 |
| 48..... | C6140W05753..... | Gear..... | 1 |
| 52..... | C6140W05750..... | Gear..... | 1 |
| 53..... | C6140W05A748..... | Gear..... | 1 |
| 54..... | C6140W05A124..... | Sleeve..... | 1 |
| 55..... | C6140W05747..... | Gear..... | 1 |
| 56..... | C6140W05746..... | Gear..... | 1 |
| 57..... | C6140W05745..... | IX Shaft..... | 1 |
| 58..... | C6140W05A744..... | Sleeve..... | 1 |
| 59..... | C6140W05A121..... | Flange Sleeve(serial #0808ZH0339 and lower)... | 1 |
| | C6266C05121W..... | Flange Sleeve(serial #0809ZH0340 and higher) . | 1 |
| 60 .. | G51-1-25..... | Felt Washer(serial #0808ZH0339 and lower).....25..... | 1 |
| | G51-1 B-25x40x7..... | Felt Washer(serial #0809ZH0340 and higher).. ..B-25x40x7..... | 1 |
| 61..... | C6140W05120..... | Shaft Connector..... | 1 |
| 62..... | C6140W05126..... | Bearing Cover..... | 1 |
| 63..... | 6304..... | Bearing.....20x52x15..... | 1 |
| 64..... | C6140W05761..... | Double Gear..... | 1 |
| 66..... | C6140W05A760..... | III Shaft(serial #0808ZH0339 and lower)..... | 1 |
| | C6266C05760W..... | III Shaft(serial #0809ZH0340 and higher)..... | 1 |
| 67..... | GB894.1-17..... | C-clip For Shaft(serial #0808ZH0339 and lower).....17..... | 1 |
| | GB879-6x25..... | Straight Pin(serial #0809ZH0340 and higher).....6x25..... | 1 |
| 68..... | C6140W05A123..... | Sleeve (serial #0808ZH0339 and lower)..... | 1 |
| | C6266C05770W..... | Shaft(serial #0809ZH0340 and higher)..... | 1 |
| 69..... | C6140W05122..... | Sleeve..... | 1 |
| 70..... | C6266C05130J..... | Oil Splash Ring(serial #0809ZH0340 and higher).... | 2 |
| 71..... | GB71-.M6×10..... | Slotted Set Screw(serial #0809ZH0340 and higher)....M6×10..... | 2 |
| 72..... | 6002..... | Bearing(serial #0809ZH0340 and higher).....15×32×9..... | 1 |
| 73..... | C6266C05774J..... | Sleeve(serial #0809ZH0340 and higher)..... | 1 |
| 74..... | C6266C05123J..... | Sleeve(serial #0809ZH0340 and higher)..... | 1 |
| 75..... | C6266C05768..... | Cover(serial #0809ZH0340 and higher)..... | 2 |

Apron Assembly I

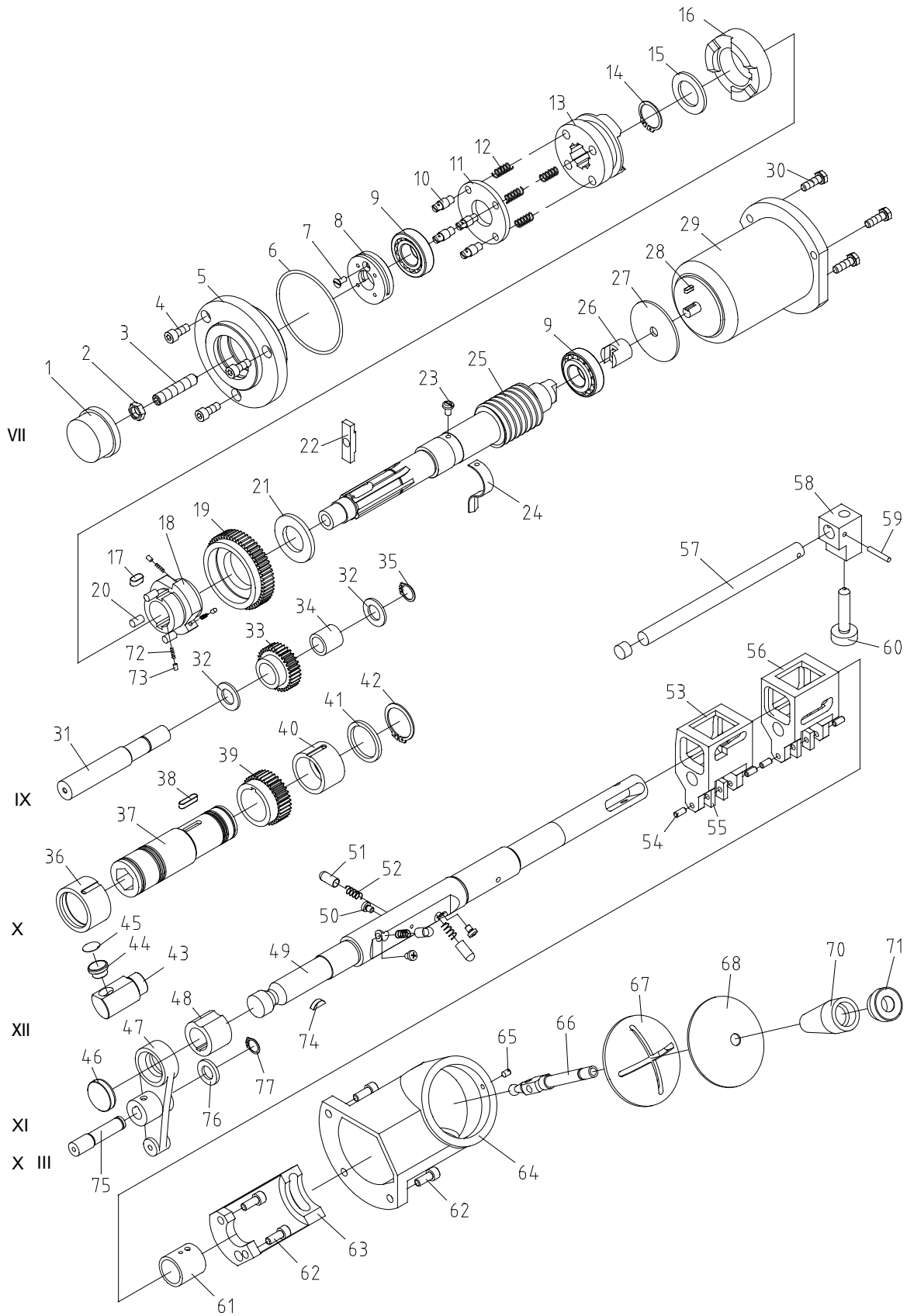


Apron Assembly I

| Index | Part | | | |
|-------|--------------------|--|-----------|------|
| No. | No. | Description | Size | Qty. |
| 1 | C6266C06101 | Apron Casting | | 1 |
| 2 | GB71- M8x10 | Set Screw | M8x20 | 1 |
| 3 | C6266C06506 | Washer | | 3 |
| 4 | C6140W06750 | Back Cover | | 1 |
| 5 | GB819- M8x16 | Cross Recessed Head Screw | M8x16 | 8 |
| 6 | GB3452.1-8.75x1.8G | Ring Seal | 8.75x1.8G | 1 |
| 7 | GB68- M6x10 | Recessed Sunk Head Screw | M6x10 | 4 |
| 8 | C6140W06731 | Cover | | 1 |
| 20 | C6140W06302Y | Half Nut (For Metric style) | | 1 |
| 21 | C6140W06107 | Upper Nut | | 1 |
| 22 | C6140W06108 | Lower Nut | | 1 |
| 23 | C6140W06759 | Gib | | 1 |
| 24 | GB6170- M10 | Hex Nut | M10 | 2 |
| 25 | C6140W06758 | Cylindrical End Set Screw | | 1 |
| 26 | GB119-12x25 | Pin | 12x25 | 2 |
| 27 | GB73- M10x25 | Slotted Set Screw | M10x25 | 1 |
| 28 | GB894.1-30 | C-clip For Shaft | 30 | 1 |
| 29 | C6140W06755 | Washer | | 1 |
| 30 | C6266C06105 | Positioning Block | | 1 |
| 31 | GB117-6x35 | Taper Pin | 6x35 | 1 |
| 32 | C6266C06106 | Lever Support | | 1 |
| 33 | GB70- M6x16 | Hex Socket Cap Screw | M6x16 | 2 |
| 34 | Q81-1-1.2x8x22 | Spring | 1.2x8x22 | 1 |
| 35 | GB119-8x14 | Pin | 8x14 | 1 |
| 36a | GB79-M8x20 | Hex Socket Set Screws | M8x20 | 2 |
| 36b | GB6172-M8 | Hex Nut | M8 | 2 |
| 37 | C6266C06711 | Control Handle(serial # 0803ZH0086 and lower) | | 1 |
| | C6266C06711J | Control Handle(serial # 0803ZH0087 and higher) | | 1 |
| 38 | GB117-5x30 | Taper Pin | 5x30 | 1 |
| 39 | C6266C06710 | Positioning Sleeve | | 1 |
| 40 | GB308-10 | Steel Ball | 10 | 1 |
| 41 | Q81-1-1.5x8x35 | Spring | 1.5x8x35 | 1 |
| 42 | GB73- m12x14 | Slotted Set Screw | m12x14 | 1 |
| 43 | C6266C06A780 | Positioning Sleeve | | 1 |
| 44 | C6140W06716 | Bolt | | 1 |
| 45 | C6140W06725 | VII Shaft | | 1 |
| 46 | C6140W06303Y | Sleeve | | 1 |
| 47 | GB119-5x60 | Pin | 5x60 | 1 |
| 48 | C6140W02799 | Handle | | 1 |
| 49 | C6266C06104 | Sleeve | | 1 |
| 50 | R51-2-20 | Oil Sight Glass | 20 | 1 |
| 51 | C6140W06760 | Front Cover | | 1 |
| 52 | GB65- M6x10 | Slotted Socket Cap Screw | M6x10 | 4 |
| 53 | C6266C06713 | Pump Cover | | 1 |
| 54 | C6266C06505 | Washer | | 1 |

| | | | | |
|----------|------------------------|---|-------------------|---|
| 55..... | C6266C06504 | Washer | 1 | |
| 56..... | Y91-1A-8..... | Nut | 8 | 1 |
| 57..... | C6266C06727 | Sleeve..... | 1 | |
| 58..... | T3-M- Ø6x0.75x450..... | Copper Pipe..... | Ø6x0.75x450 | 1 |
| 59..... | C6266C06726 | Valve | 1 | |
| 60..... | C6266C06714 | Adjust Bolt | 2 | |
| 61..... | Q81-1-0.3x3x12..... | Spring | 0.3x3x12..... | 2 |
| 62..... | GB308-5 | Steel Ball..... | 5 | 4 |
| 63..... | C6266C06715 | Oil Purifier | 1 | |
| 64..... | C6266C06107 | Pump | 1 | |
| 65..... | GB65- M6x12..... | Slotted Socket Cap Screw..... | M6x12..... | 3 |
| 66..... | G51-2A-20x2.4 | Ring Seal | 20x2.4..... | 1 |
| 67..... | C6266C06712 | Piston-rod(serial # 0803ZH0086 and lower) | 1 | |
| | C6266C06712J..... | Piston-rod(serial # 0803ZH0087 and higher) | 1 | |
| 68..... | Q81-1-1.2x19x70..... | Spring | 1.2x19x70..... | 1 |
| 69..... | GB4141.11- M8x25..... | Ball(serial # 0803ZH0086 and lower)..... | M8x25..... | 1 |
| | 1440R04783 | Nut(serial # 0803ZH0087 and higher)..... | 1 | |
| 70..... | C6266C06502 | Washer | 1 | |
| 71..... | C6266C06103 | Button Cover..... | 1 | |
| 72..... | GB70- M8x12..... | Hex Socket Cap Screw | M8x12..... | 6 |
| 73..... | GB38-2- M12x1.5 | Drain Plug..... | M12x1.5..... | 1 |
| 74..... | C6266C06725 | Shaft | 1 | |
| 75..... | C6266C06109 | Rocker | 1 | |
| 76..... | C6266C06724 | Washer | 1 | |
| 77..... | GB894.1-15 | C-clip For Shaft..... | 15 | 1 |
| 78..... | C6266C06721 | Rod | 1 | |
| 79..... | G51-2A-12x1.9 | Ring Seal | 12x1.9..... | 1 |
| 80..... | C6266C06723 | Sleeve..... | 1 | |
| 81..... | C6266C06722 | Block..... | 1 | |
| 82..... | 606..... | Bearing | 6x17x6..... | 1 |
| 83..... | GB119-5n6x15..... | Pin..... | 5n6x15..... | 1 |
| 84..... | GB75- M5x16..... | Slotted Socket Set Screw | M5x16..... | 2 |
| 85..... | GB119-8n6x45..... | Pin..... | 8n6x45..... | 1 |
| 86..... | C6266C06110..... | Positioning Block | 1 | |
| 87..... | C6140W06116..... | Bracket Disk (For Metric style) | 1 | |
| 88..... | GB119-6x25..... | Pin..... | 6x25..... | 1 |
| 89..... | C6140W06761..... | Dial (For Metric style) | 1 | |
| 90..... | C6140W06769..... | Spring Leaf | 1 | |
| 92..... | C6140W06768..... | Eccentric Shaft(serial # 0804ZH0125 and lower) | 1 | |
| | C628006730 | Eccentric Shaft(serial # 0805ZH0126 and higher) | 1 | |
| 93..... | GB119-3n6x22..... | Pin(serial # 0804ZH0125 and lower)..... | 3n6x22..... | 1 |
| | Q81-1-0.4x3x10..... | Spring(serial # 0805ZH0126 and higher) | 0.4x3x10..... | 1 |
| 94..... | C6140W06762..... | Gear (For Metric style)..... | 1 | |
| 95..... | C6140W06117 | Bracket (For Metric style) | 1 | |
| 96..... | GB70- M8x55..... | Hex Socket Cap Screw | M8x55..... | 3 |
| 97..... | GB119-12n6x40..... | Pin..... | 12n6x40..... | 2 |
| 98..... | C6266C06501 | Washer | 1 | |
| 99..... | GB68- M6x12..... | Recessed Sunk Head Screw..... | M6x12..... | 4 |
| 100..... | GB117-4x18..... | Taper Pin | 4x18..... | 1 |
| 101..... | C6140W06109 | Handle Seat..... | 1 | |
| 102..... | C6266C06740J | Wire Baffle(serial #1301ZH0609 and higher) | 1 | |
| 103..... | GB6172-M5 | Nut(serial #1301ZH0609 and higher) | M5 | 2 |
| 104..... | GB70-5x25 | Hex Socket Cap Screw(serial #1301ZH0609 and higher).... | 5x25..... | 2 |

Apron Assembly II

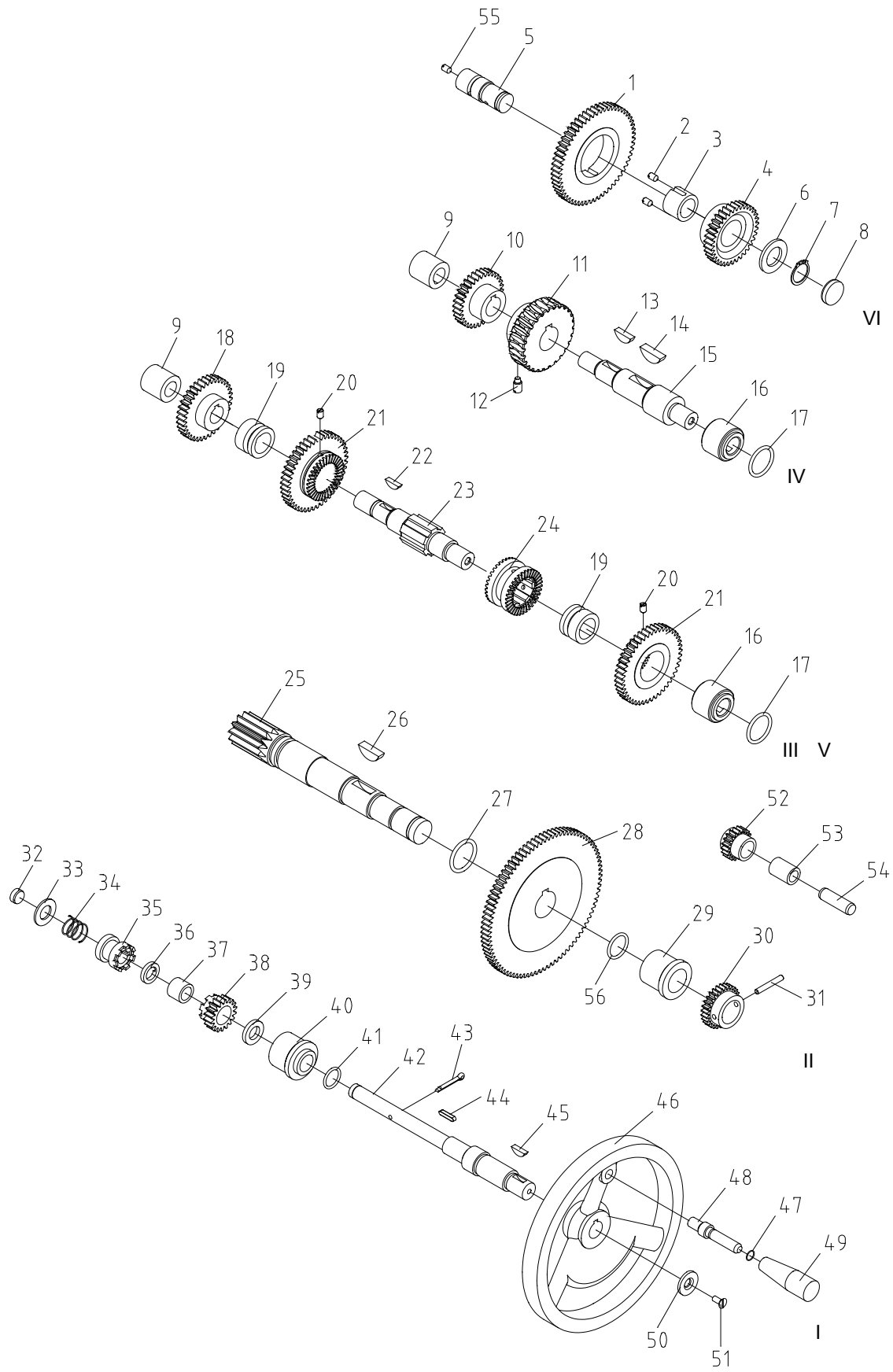


Apron Assembly II

| Index No. | Part No. | Description | Size | Qty. |
|-----------|-----------------|------------------------|----------------|------|
| 1 | C6140W06738 | Adjust Knob | | 1 |
| 2 | GB6172- M12 | Hex Flat Nut | M12 | 1 |
| 3 | GB78- M12x60 | Hex Set Screw | M12x60 | 1 |
| 4 | GB70- M8x20 | Hex Socket Cap Screw | M8x20 | 3 |
| 5 | C6140W06111 | Flange | | 1 |
| 6 | G51-2A-93x3.1 | Ring Seal | 93x3.1 | 1 |
| 7 | GB70.3- M5x12 | Screw | M5x12 | 1 |
| 8 | C6140W06739 | Adjust C-clip | | 1 |
| 9 | 30502/P6 | Bearing | 25x52x15 | 2 |
| 10 | C6266C06730 | Bolt | | 4 |
| 11 | C6140W06740 | Washer | | 1 |
| 12 | Q81-1-1x10x35 | Spring | 1x10x35 | 4 |
| 13 | C6266C06707 | Clutch | | 1 |
| 14 | GB894.1-30 | C-clip For Shaft | 30 | 1 |
| 15 | C6266C06708 | Washer | | 1 |
| 16 | C6266C06706 | Clutch | | 1 |
| 17 | GB1096-8x16 | Flat Key | 8x16 | 1 |
| 18 | C6140W06708 | Star Gear | | 1 |
| 19 | C6140W06709 | Gear | | 1 |
| 20 | C6140W06726 | Pin | | 3 |
| 21 | C6140W06710 | Washer | | 1 |
| 22 | C6140W06737 | Block | | 1 |
| 23 | GB67- M6x10 | Slotted Pan Head Screw | M6x10 | 1 |
| 24 | C6140W06729 | Splash Leaf | | 1 |
| 25 | C6266C06209 | Worm | | 1 |
| 26 | C6140W06728 | Motor Connector | | 1 |
| 27 | C6266C06503 | Washer | | 1 |
| 28 | GB1096-4x14 | Flat Key | 4x14 | 1 |
| 29 | YSS56BJ | Motor | 370W 1400r/min | 1 |
| 30 | GB5782- M8x30 | Hexagon Head Bolt | M8x30 | 3 |
| 31 | C6140W06736 | IX Shaft | | 1 |
| 32 | C6140W06735 | Washer | | 2 |
| 33 | C6140W06734 | Gear | | 1 |
| 34 | C6140W06306 | Sleeve | | 1 |
| 35 | GB894.1-18 | C-clip For Shaft | 18 | 1 |
| 36 | C6140W06305 | Sleeve | | 1 |
| 37 | C6140W06733 | X Shaft | | 1 |
| 38 | GB10966x25 | Flat Key | 6x25 | 1 |
| 39 | C6140W06732 | Gear | | 1 |
| 40 | C6140W06304 | Sleeve | | 1 |
| 41 | C6140W06730 | Washer | | 1 |
| 42 | GB894.1-38 | C-clip For Shaft | 38 | 1 |
| 43 | C6266C6704A | Oil Tap Cover | | 1 |
| 44 | C6266C06705A-35 | Oil tap | 35 | 1 |
| 45 | C6266C04A311 | Label | | 1 |

| | | | |
|---------|---------------------|------------------------------|----------------|
| 46..... | C6266C06102 | Plug | 1 |
| 47..... | C6140W06103..... | Fork | 1 |
| 48..... | C6266C06703 | Limiting Sleeve | 1 |
| 49..... | C6266C06701 | Control Shaft..... | 1 |
| 50..... | GB67- M6x8..... | Slotted Pan Head Screw | M6x8.....3 |
| 52..... | Q81-1-1.6x8x22..... | Spring | 1.6x8x22.....3 |
| 51..... | C6140W06701..... | Pin..... | 3 |
| 53..... | C6140W06713..... | Left Fork | 1 |
| 54..... | GB119-6n6x14..... | Pin..... | 6n6x14.....6 |
| 55..... | C6140W06715..... | Sliding Block | 6 |
| 56..... | C6140W06714..... | Right Fork | 1 |
| 57..... | C6140W06717..... | Shaft | 1 |
| 58..... | C6140W06104..... | Inter-locking Block | 1 |
| 59..... | GB117-5x30..... | Taper Pin | 5x30.....1 |
| 60..... | C6140W06718..... | Shaft | 1 |
| 61..... | C6266C06304 | Sleeve..... | 1 |
| 62..... | GB70-8x20..... | Hex Socket Cap Screw | 8x20.....5 |
| 63..... | C6140W06719..... | Bracket | 1 |
| 64..... | C6140W06105..... | Bracket | 1 |
| 65..... | GB71..... | Slotted Set Screw | 1 |
| 66..... | C6140W06722..... | Handle | M6x10.....1 |
| 67..... | C6140W06106..... | Cross Cover..... | 1 |
| 68..... | C6140W06501..... | Washer | 1 |
| 70..... | C6140W06721..... | Handle | 1 |
| 71..... | C6140W06720..... | Washer | 1 |
| 72..... | C6140W06727..... | Pin..... | 3 |
| 73..... | Q81-1-0.3x3x12..... | Spring | 0.3x3x12.....3 |
| 74..... | GB1099-5x19..... | Half Circle Key..... | 5x19.....1 |
| 75..... | C6140W06704..... | XIII Shaft..... | 1 |
| 76..... | C6140W06705 | Washer | 1 |
| 77..... | GB894.1-14 | C-clip For Shaft..... | 14.....1 |

Apron Assembly III

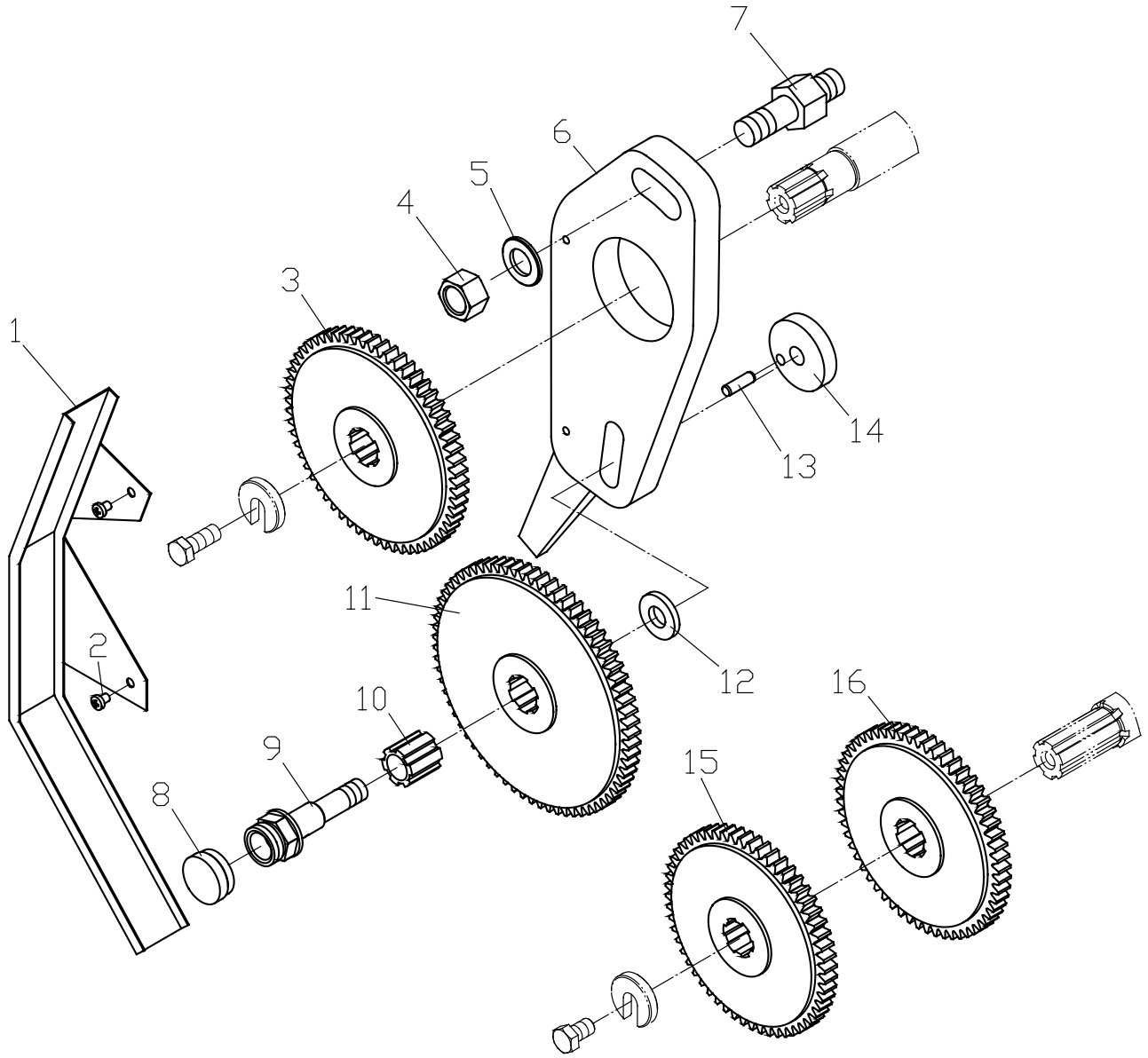


Apron Assembly III

| Index | Part | | | |
|-------|-----------------|---|-----------|------|
| No. | No. | Description | Size | Qty. |
| 1 | C6140W06751 | Gear | | 1 |
| 2 | GB71- M6x8 | Slotted Set Screw | M6x8 | 2 |
| 3 | C6140W06309 | Sleeve | | 1 |
| 4 | C6140W06752 | Gear | | 1 |
| 5 | C6266C06728 | VI Shaft | | 1 |
| 6 | C6140W06754 | Washer | | 1 |
| 7 | GB894.1-20 | C-clip For Shaft | 20 | 2 |
| 8 | C6140W06114 | Plug | | 1 |
| 9 | C6140W06113 | Sleeve | | 3 |
| 10 | C6140W06749 | Gear | | 1 |
| 11 | C6140W06308 | Worm Wheel | | 1 |
| 12 | GB72- M8x16 | Slotted Set Screw | M8x16 | 1 |
| 13 | GB1099-6x22 | Half Circle Key | 6x22 | 1 |
| 14 | GB1099-8x28 | Half Circle Key | 8x28 | 1 |
| 15 | C6140W06748 | IV Shaft | | 1 |
| 16 | C6140W06115 | Sleeve | | 3 |
| 17 | G51-2A-35x3.1 | Ring Seal | 35x3.1 | 3 |
| 18 | C6140W06746 | Gear | | 2 |
| 19 | C6140W06307 | Sleeve | | 4 |
| 20 | GB71- M6x10 | Slotted Set Screw | M6x10 | 4 |
| 21 | C6140W06744 | Gear | | 4 |
| 22 | GB1099-5x16 | Half Circle Key | 5x16 | 2 |
| 23 | C6140W06747 | III Shaft | | 2 |
| 24 | C6140W06745 | Connector | | 2 |
| 25 | C6140W06743 | II Shaft | | 1 |
| 26 | GB1099-8x28 | Half Circle Key | 8x28 | 1 |
| 27 | G51-2A-35x3.1 | Ring Seal | 35x3.1 | 1 |
| 28 | C6140W06742 | Gear | | 1 |
| 29 | C6140W06118 | Sleeve | | 1 |
| 30 | C6140W06764 | Gear | | 1 |
| 31 | GB117-5x35 | Taper Pin (serial #1209ZH0608 and lower) | 5x35 | 1 |
| | GB877-5x40 | Taper Pin (serial #1301ZH0609 and higher) | 5x40 | 1 |
| 32 | C6140W06112 | Plug | | 1 |
| 33 | C6140W06774 | Washer | | 1 |
| 34 | Q81-1-1.6x18x25 | Spring | 1.6x18x25 | 1 |
| 35 | C6140W06773 | Connector | | 1 |
| 36 | C6140W06772 | Washer | | 1 |
| 37 | C6140W06371 | Sleeve | | 1 |
| 38 | C6140W06771 | Gear | | 1 |
| 39 | C6140W06770 | Washer | | 1 |
| 40 | C6140W06120 | Sleeve | | 1 |
| 41 | G51-2A-18x2.4 | Ring Seal | 18x2.4 | 1 |
| 42 | C6140W06775 | I Shaft | | 1 |
| 43 | C6140W06774 | Washer | | 1 |
| 44 | GB1096-4x20 | Flat Key | 4x20 | 1 |

| | | | | |
|----------|--------------------|-------------------------------|--------------|---|
| 45..... | GB1099-5x16..... | Half Circle Key..... | 5x16..... | 1 |
| 46..... | C6266C06111 | Handle Wheel..... | | 1 |
| 47..... | GB895-10 | Steel C-clip | 10 | 1 |
| 48..... | C6140W06766..... | Shaft | | 1 |
| 49..... | C6140W06765..... | Lever Sleeve..... | | 1 |
| 50..... | GB891-5x12..... | Circlip..... | 5x12..... | 1 |
| 51..... | GB68-25 | Recessed Sunk Head Screw..... | 25 | 1 |
| 52..... | C6140W06763..... | Gear..... | | 1 |
| 53..... | C6140W06310Y | Sleeve..... | | 1 |
| 54 | GB119-12n6x40..... | Pin..... | 12n6x40..... | 1 |
| 55..... | GB71- M6x8..... | Slotted Set Screw | M6x8..... | 1 |

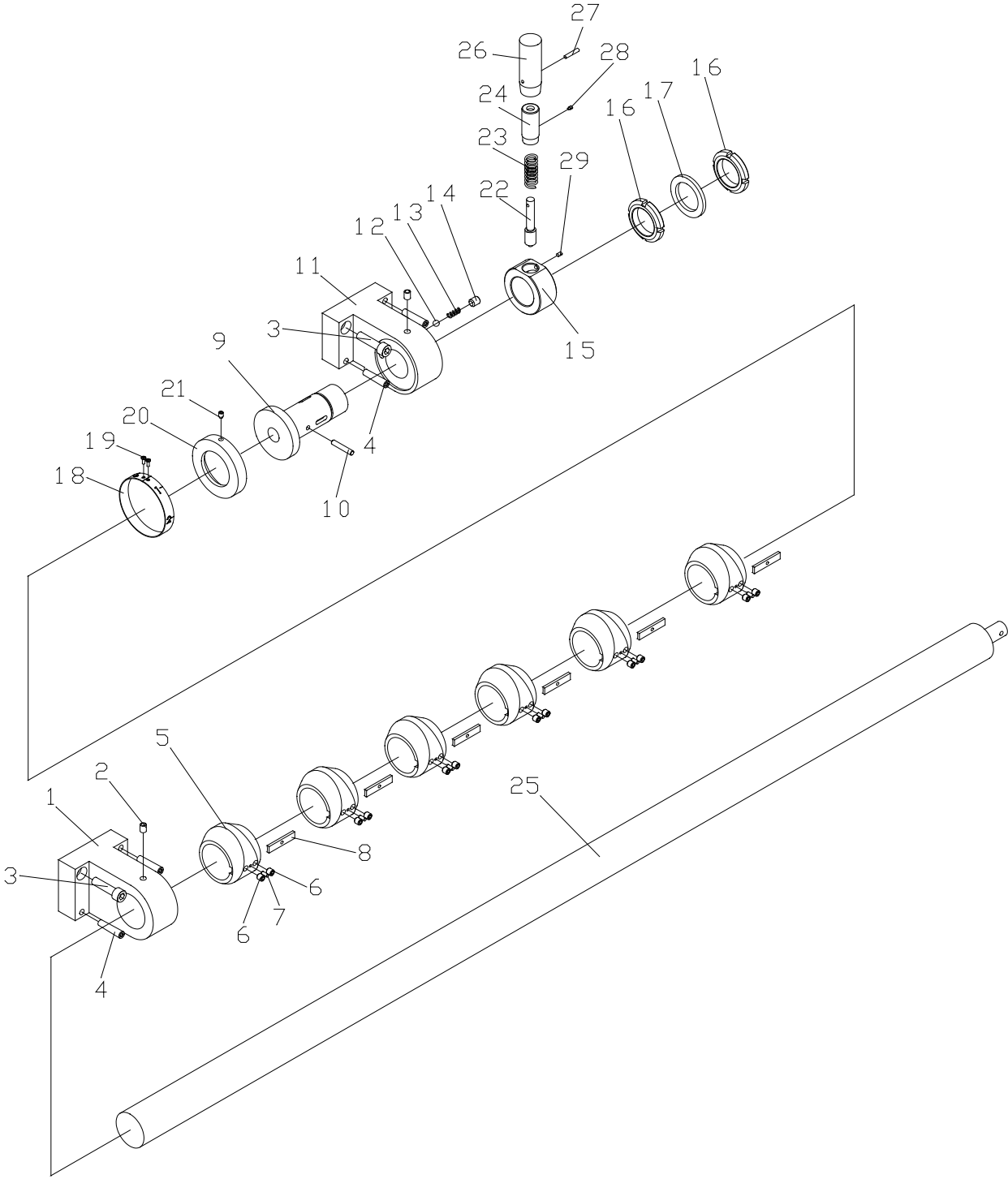
Gear Assembly



Gear Assembly

| Index No. | Part No. | Description | Size | Qty. |
|-----------|-------------------|--------------------------------|---------|------|
| 1 | C6250B08701 | Splash Guard | | 1 |
| 2 | GB818- M6x10 | Cross Recessed Pan Head Screws | M6x10 | 2 |
| 3 | C6250B08702 (m) | Gear | 2.5m60T | 1 |
| 4 | GB6172-M20 | Nut | M20 | 1 |
| 5 | GB97.2-20 | Washer | 20 | 1 |
| 6 | C6250B08101 | Gear Frame | | 1 |
| 7 | C6140W02824 | Fixing Rod-2 | | 1 |
| 8 | C6140W08703 | Nut Cover | | 1 |
| 9 | C6140W08702 | Gear Shaft | | 1 |
| 10 | C6140W08301 | Spline Sleeve | | 1 |
| 11 | C6250B08102 (m) | Gear | 2.5m69T | 1 |
| 12 | C6140W08701 | Washer | | 1 |
| 13 | GB119-8n6x20 | Pin | 8n6x20 | 1 |
| 14 | C6140W08704 | Position Nut | | 1 |
| 15 | C6250B08703 (m) | Gear | 2.5m56T | 1 |
| 16 | C6250B08704 (m) | Gear | 2.5m57T | 1 |

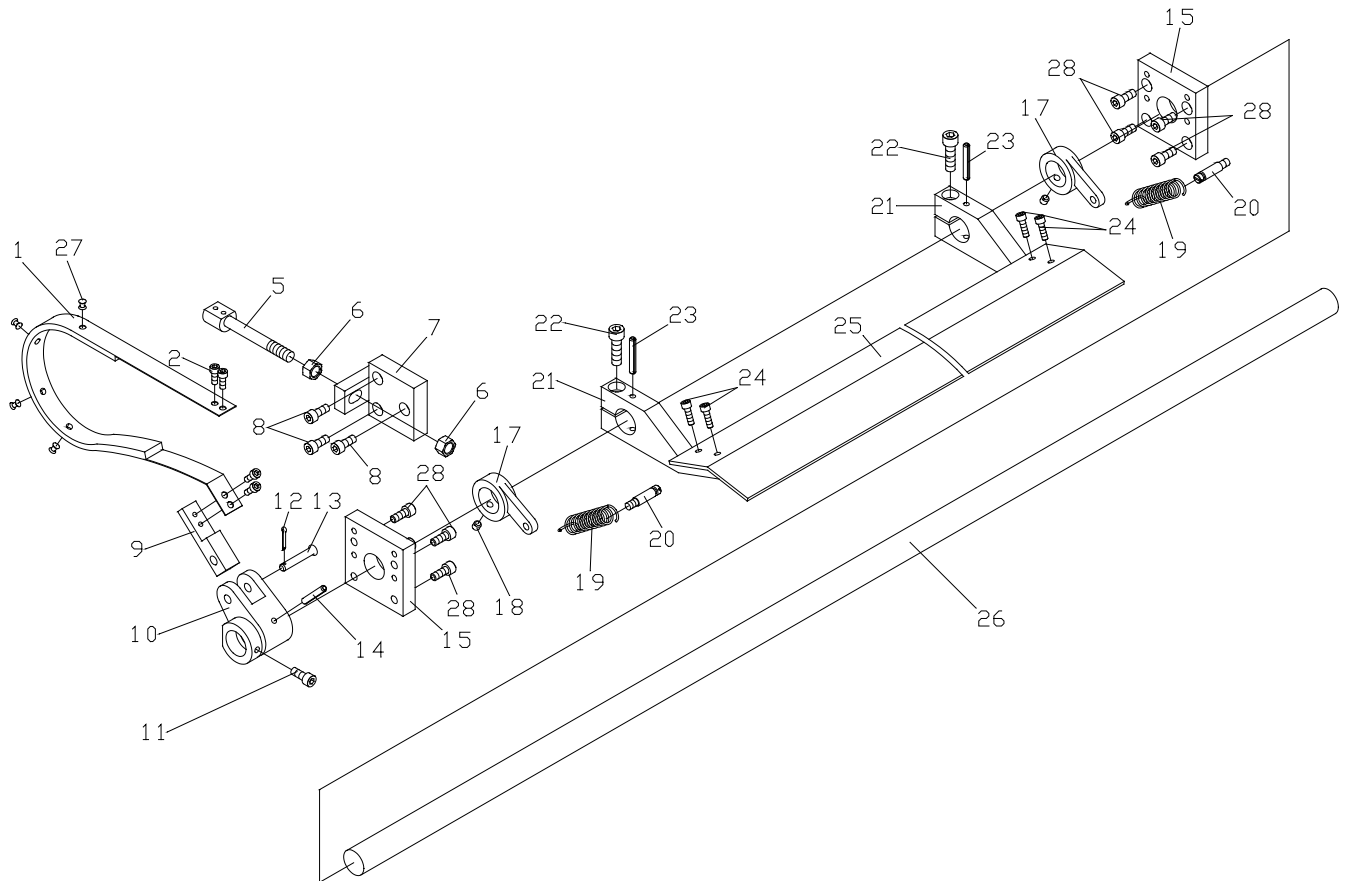
Micro Carriage Stop Assembly



Micro Carriage Stop Assembly

| Index No. | Part No. | Description | Size | Qty. |
|-----------|------------------|--|-----------|------|
| 1 | C6266C26102 | Left Support | | 1 |
| 2 | GB1155-8 | Oil Cup | .8 | 2 |
| 3 | GB70- M10x40 | Hex Socket Cap Screw | M10x40 | 4 |
| 4 | GB118-8x40 | Pin | .8x40 | 4 |
| 5 | C6266C26712 | Eccentric Travel Setting Ring | | 6 |
| 6 | GB77- M8x8 | Hex Socket Set Screws | M8x8 | 12 |
| 7 | GB119-4x10 | Set Screw | .4x10 | 6 |
| 8 | C6266C26713 | Locking Key | | 6 |
| 9 | C6266C26706 | Shaft Connector | | 1 |
| 10 | GB117-6x35 | Taper Pin | .6x35 | 1 |
| 11 | C6266C26101 | Right Support | | 1 |
| 12 | GB308-8 | Steel Ball | .8 | 1 |
| 13 | GB2089-1.5x8 x20 | Spring | 1.5x8 x20 | 1 |
| 14 | GB77- M10x40 | Hex Socket Set Screws | M10x40 | 1 |
| 15 | C6266C26701 | Sleeve | | 1 |
| 16 | GB812- M39x1.5 | Round Nut | M39x1.5 | 2 |
| 17 | C6266C26702 | Sleeve | | 1 |
| 18 | C6266C26301 | Label | | 1 |
| 19 | GB867- M3x8 | Half Circle Rivet | M3x8 | 2 |
| 20 | C6266C26714 | Sleeve | | 1 |
| 21 | GB79- M6x8 | Hex Socket Set Screws | M6x8 | 1 |
| 22 | C6266C26704 | Shaft | | 1 |
| 23 | GB2089-1.2x13x40 | Spring | 1.2x13x40 | 1 |
| 24 | C6266C26703 | Sleeve | | 1 |
| 25 | C6266C26707A | Travel Setting Rod (For GH-2040ZH only) | | 1 |
| | C6266C26707B | Travel Setting Rod (For GH-2060ZH only) | | 1 |
| | C6266C26707C | Travel Setting Rod (For GH-2080ZH only) | | 1 |
| | C6266C26707D | Travel Setting Rod (For GH-20120ZH only) | | 1 |
| 26 | C6266C26705 | Handle | | 1 |
| 27 | GB117-4x25 | Taper Pin | .4x25 | 1 |
| 28 | GB75- M4x6 | Slotted Socket Cap Screw | M4x6 | 1 |
| 29 | GB71 -M4x8 | Slotted Set Screw | M4x8 | 1 |

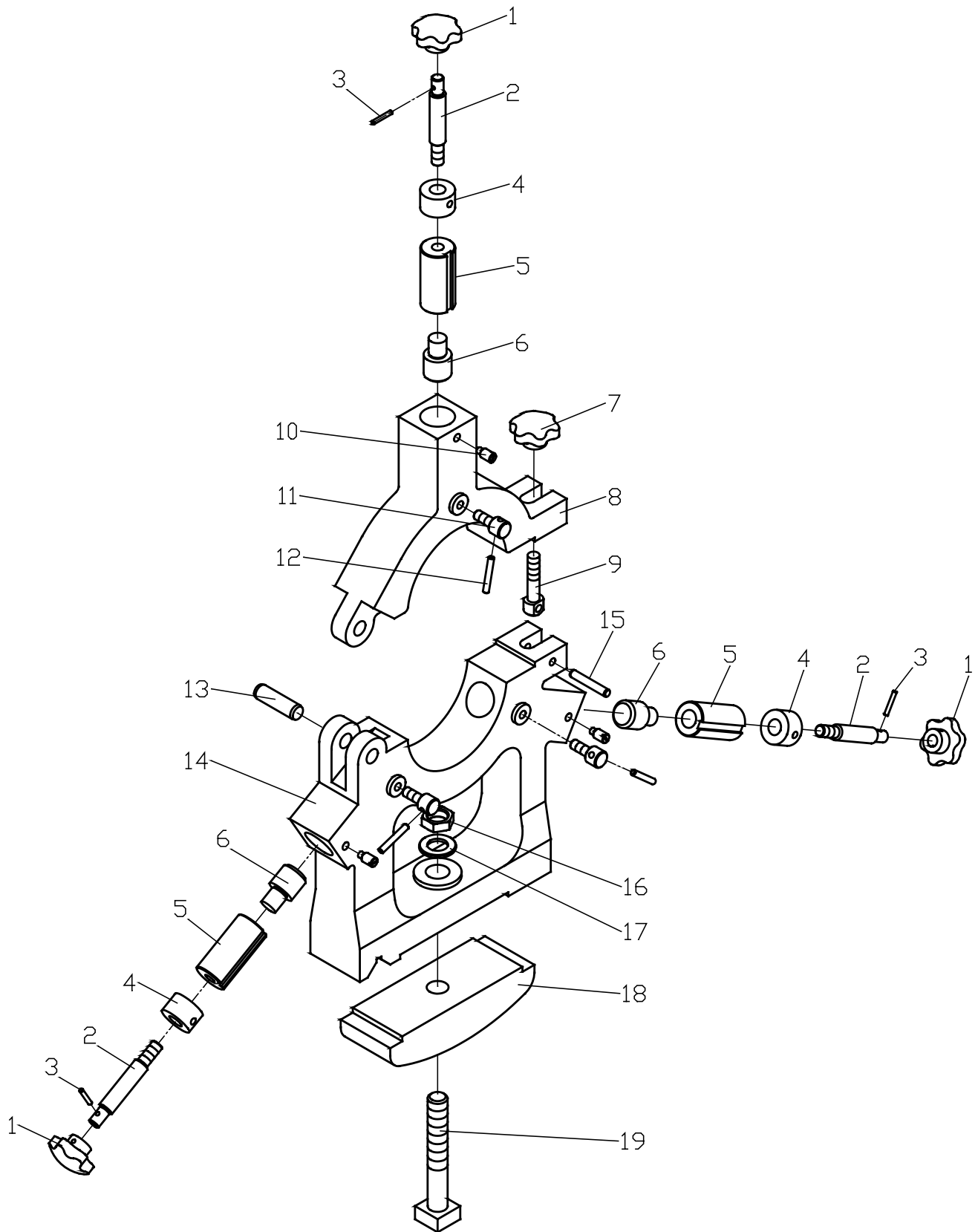
Brake Assembly



Brake Assembly

| Index No. | Part No. | Description | Size | Qty. |
|-----------|-----------------|--|------------|------|
| 1 | C6266C22705 | Braking Belt | | 1 |
| 2 | GB70- M6x14 | Hex Socket Cap Screw | M6x14 | 4 |
| 5 | C6266C22704 | Bolt | | 1 |
| 6 | GB6170- M12 | Hex Nut | M12 | 2 |
| 7 | C6266C22103 | Braking Belt Support | | 1 |
| 8 | GB70- M8x20 | Hex Socket Cap Screw | M8x20 | 3 |
| 9 | C6266C22706 | Brake Block | | 1 |
| 10 | C6266C22104 | Fork | | 1 |
| 11 | GB70- M8x20 | Hex Socket Cap Screw | M8x20 | 1 |
| 12 | GB91-3x20 | Screw | 3x20 | 1 |
| 13 | C6266C22707 | Pin Shaft | | 1 |
| 14 | GB879-6x45 | Spring Pin | 6x45 | 1 |
| 15 | C6266C22101 | Support (For GH-2040ZH, GH-2060ZH, GH-2080ZH) | | 2 |
| | C6266C22101 | Support(For GH-20120ZH only) | | 4 |
| 17 | C6266C22102 | Brake Support(For GH-2040ZH, GH-2060ZH, GH-2080ZH) | | 2 |
| | C6266C22102 | Brake Support(For GH-20120ZH only) | | 4 |
| 18 | GB77- M8x8 | Hex Socket Set Screws(For GH-2040ZH, GH-2060ZH, GH-2080ZH) | M8x8 | 2 |
| | GB77- M8x8 | Hex Socket Set Screws(For GH-20120ZH only) | M8x8 | 4 |
| 19 | Q81-1-2.5x18x80 | Spring(For GH-2040ZH, GH-2060ZH, GH-2080ZH) | 2.5x18x80 | 2 |
| | Q81-1-2.5x18x80 | Spring(For GH-20120ZH only) | 2.5x18 x80 | 4 |
| 20 | C6266C26702 | Screw(For GH-2040ZH, GH-2060ZH, GH-2080ZH) | | 2 |
| | C6266C26702 | Screw(For GH-20120ZH only) | | 4 |
| 21 | C6266C22105 | Brake Support(For GH-2040ZH only) | | 2 |
| | C6266C22105 | Brake Support(For GH-2060ZH, GH-2080ZH) | | 3 |
| | C6266C22105 | Brake Support(For GH-20120ZH only) | | 6 |
| 22 | GB70- M10x35 | Hex Socket Cap Screw(For GH-2040ZH only) | M10x35 | 2 |
| | GB70- M10x35 | Hex Socket Cap Screw(For GH-2060ZH, GH-2080ZH) | M10x35 | 3 |
| | GB70- M10x35 | Hex Socket Cap Screw(For GH-20120ZH only) | M10x35 | 6 |
| 23 | GB879-6x45 | Spring Pin(For GH-2040ZH only) | 6x45 | 2 |
| | GB879-6x45 | Spring Pin(For GH-2060ZH, GH-2080ZH) | 6x45 | 3 |
| | GB879-6x45 | Spring Pin(For GH-20120ZH only) | 6x45 | 6 |
| 24 | GB70- M6x20 | Hex Socket Cap Screw(For GH-2040ZH, GH-2060ZH, GH-2080ZH) | M6x20 | 4 |
| | GB70- M6x20 | Hex Socket Cap Screw(For GH-20120ZH only) | M6x20 | 8 |
| 25 | C6266C22708A | Pedal (For GH-2040ZH only) | | 1 |
| | C6266C22708B | Pedal (For GH-2060ZH only) | | 1 |
| | C6266C22708C | Pedal (For GH-2080ZH only) | | 1 |
| | C6266C22708D | Pedal (For GH-20120ZH only) | | 2 |
| 26 | C6266C22703A | Shaft (For GH-2040ZH only) | | 1 |
| | C6266C22703B | Shaft (For GH-2060ZH only) | | 1 |
| | C6266C22703C | Shaft (For GH-2080ZH only) | | 1 |
| | C6266C22703D | Shaft (For GH-20120ZH only) | | 1 |
| 27 | GB869- M6x10 | Rivet | M6x10 | 4 |
| 28 | GB70-M8x20 | Hex Socket Cap Screw(For GH-2040ZH, GH-2060ZH, GH-2080ZH) | M8x20 | 8 |
| | GB70- M8x20 | HexSocket Cap Screw(For GH-20120ZH only) | M8x20 | 16 |

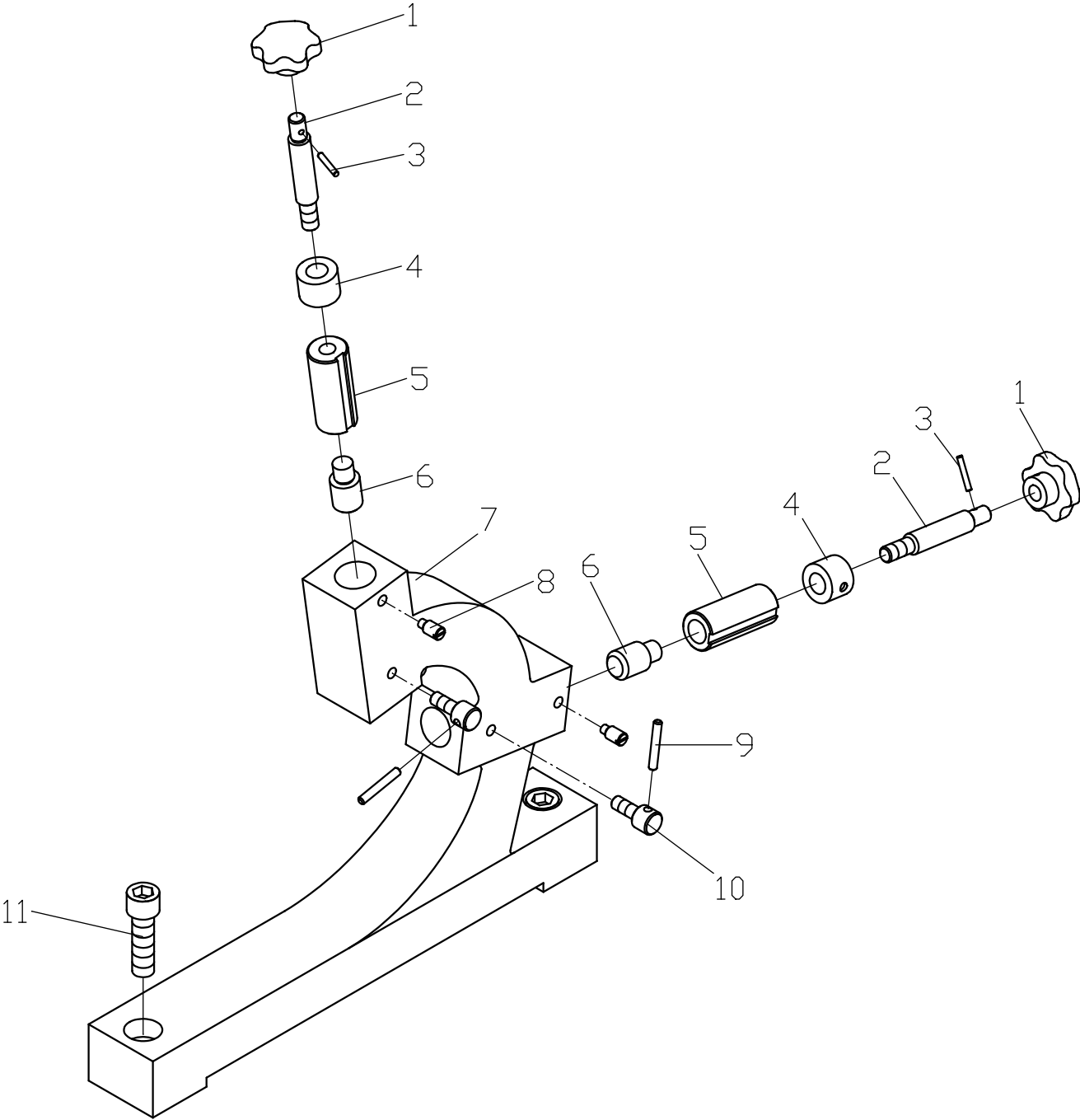
Steady Rest Assembly



Steady Rest Assembly

| Index No. | Part No. | Description | Size | Qty. |
|-----------|----------------|------------------------|--------|------|
| 1 | GB4141.29-Φ12 | A Type Asterisk Handle | Φ12 | 3 |
| 2 | C6266C10702 | Sliding Sleeve | | 3 |
| 3 | GB117-4x25 | Pin | 4x25 | 3 |
| 4 | C6266C10701 | Slotted Set Screw | | 3 |
| 5 | C6266C10703 | Lever | | 3 |
| 6 | C6266C10301 | Locking Screw | | 3 |
| 7 | GB4141.29- M12 | B Type Asterisk Handle | M12 | 1 |
| 8 | C6250B10A102 | Steady Rest Upper Body | | 1 |
| 9 | C6140W10701 | Screw | | 1 |
| 10 | GB75- M10x16 | Slotted Set Screw | M10x16 | 3 |
| 11 | C6140W10704 | Set Screw | | 3 |
| 12 | GB119- A6x45 | Pin | A6x45 | 3 |
| 13 | GB119 -A6x55 | Pin | A16x55 | 1 |
| 14 | C6250B10A101 | Steady Rest Lower Body | | 1 |
| 15 | GB119- A8x55 | Pin | A8x55 | 1 |
| 16 | GB56- M20 | Hex Extra Thick Nut | M20 | 1 |
| 17 | GB97.2-20 | Washer | 20 | 1 |
| 18 | C6140W10104 | Clamping Plate | | 1 |
| 19 | C6140W10706 | Square Head Bolt | | 1 |

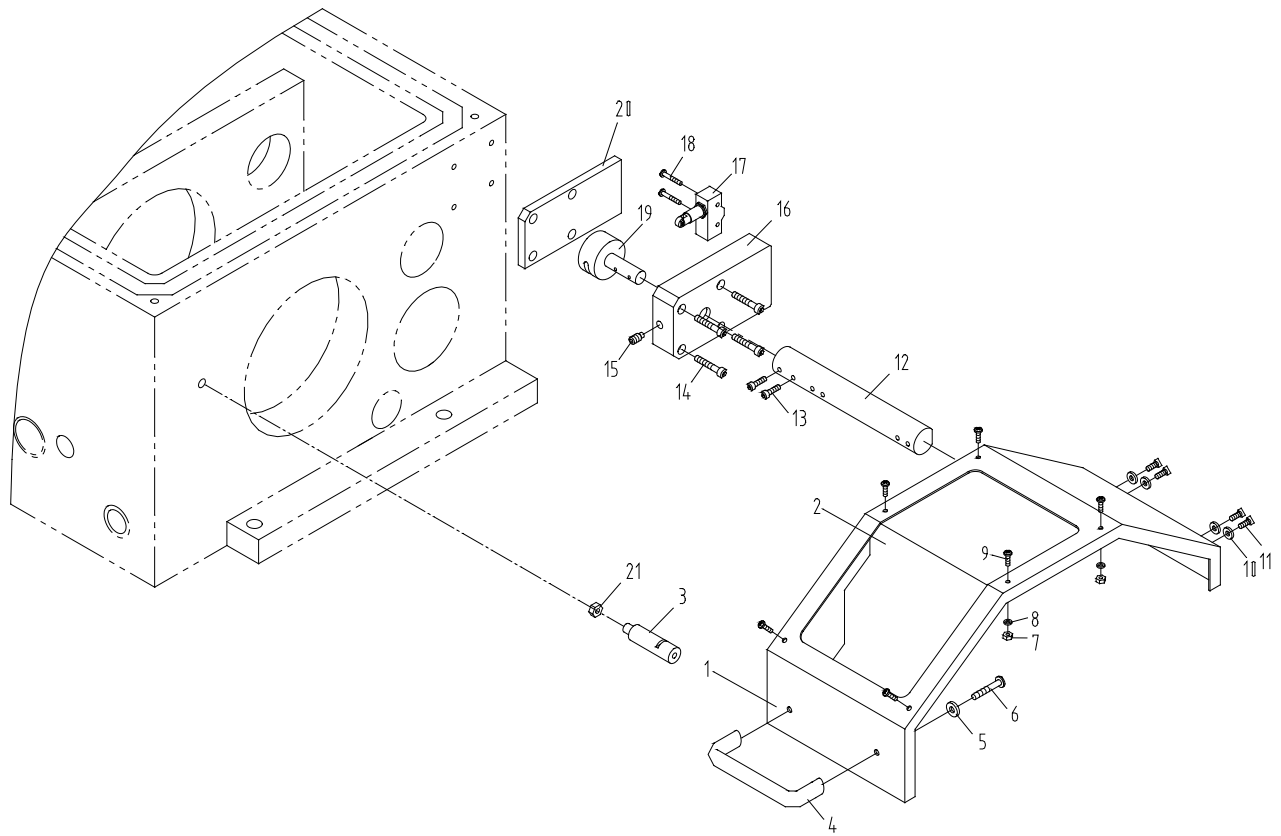
Follow Rest Assembly



Follow Rest Assembly

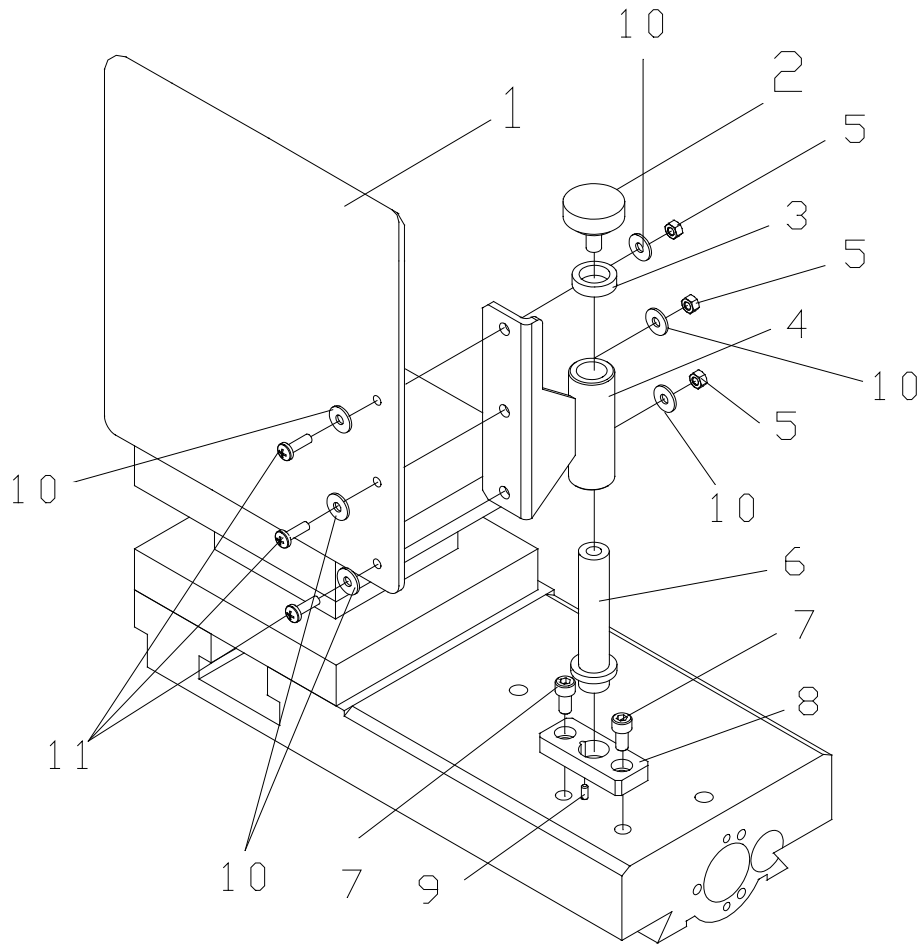
| Index No. | Part No. | Description | Size | Qty. |
|-----------|---------------|------------------------|--------|------|
| 1 | GB4141.29-Φ12 | A Type Asterisk Handle | Φ12 | 2 |
| 2 | C6250B10701 | Screw | | 2 |
| 3 | GB117-4x25 | Pin | 4x25 | 2 |
| 4 | C6266C10704 | Nut | | 2 |
| 5 | C6266C10706 | Sliding Sleeve | | 2 |
| 6 | C6266C10302 | Block | | 2 |
| 7 | C6250B10103 | Follow Rest Casting | | 1 |
| 8 | GB75- M10x14 | Slotted Set Screw | M10x14 | 2 |
| 9 | GB119-6x45 | Pin | 6x45 | 2 |
| 10 | C6140W10704 | Set Screw | | 1 |
| 11 | GB70- M16x55 | Hex Socket Cap Screw | M16x55 | 2 |

Safety guard cover



| Index No. | Part No. | Description | Size | Qty. |
|-----------|---------------|--------------------------------|-----------|------|
| 1 | C6250B19701 | Protection guard | | 1 |
| 2 | ZX19501E | Protection guard visual glass | | 1 |
| 3 | ZX19704E | Fixing rod | | 1 |
| 4 | ZXS04E | Handle | Z96-6 | 1 |
| 5 | ZXS05E | Plain washers | 6 | 2 |
| 6 | ZXS06E | Cross recessed pan head screws | M6x12 | 2 |
| 7 | ZXS07E | Hexagon thin nuts | M4 | 6 |
| 8 | ZXS08E | Plain washers | 4 | 6 |
| 9 | ZXS09E | Cross recessed pan head screws | M4x12 | 6 |
| 10 | ZXS10E | Plain washers | 5 | 4 |
| 11 | ZXS11E | Hexagon socket cap head screws | M5x16 | 4 |
| 12 | ZX19703E | Rest bar | | 1 |
| 13 | ZXS13E | Slotted set screws | M8x10 | 2 |
| 14 | ZXS14E | Hexagon socket cap head screws | M6x35 | 4 |
| 15 | ZXS15E | Hexagon socket set screws | M8x16 | 1 |
| 16 | GH1440A19101E | Switch box | | 1 |
| 17 | SQ4E | Stroke switch | LXW5-11Q1 | 1 |
| 18 | ZXS18E | Slotted pan head screws | M4x25 | 2 |
| 19 | ZX19702E | Shaft | | 1 |
| 20 | ZX19502E | Washer | | 1 |
| 21 | C6266CCGA21 | Nut | M8 | 1 |

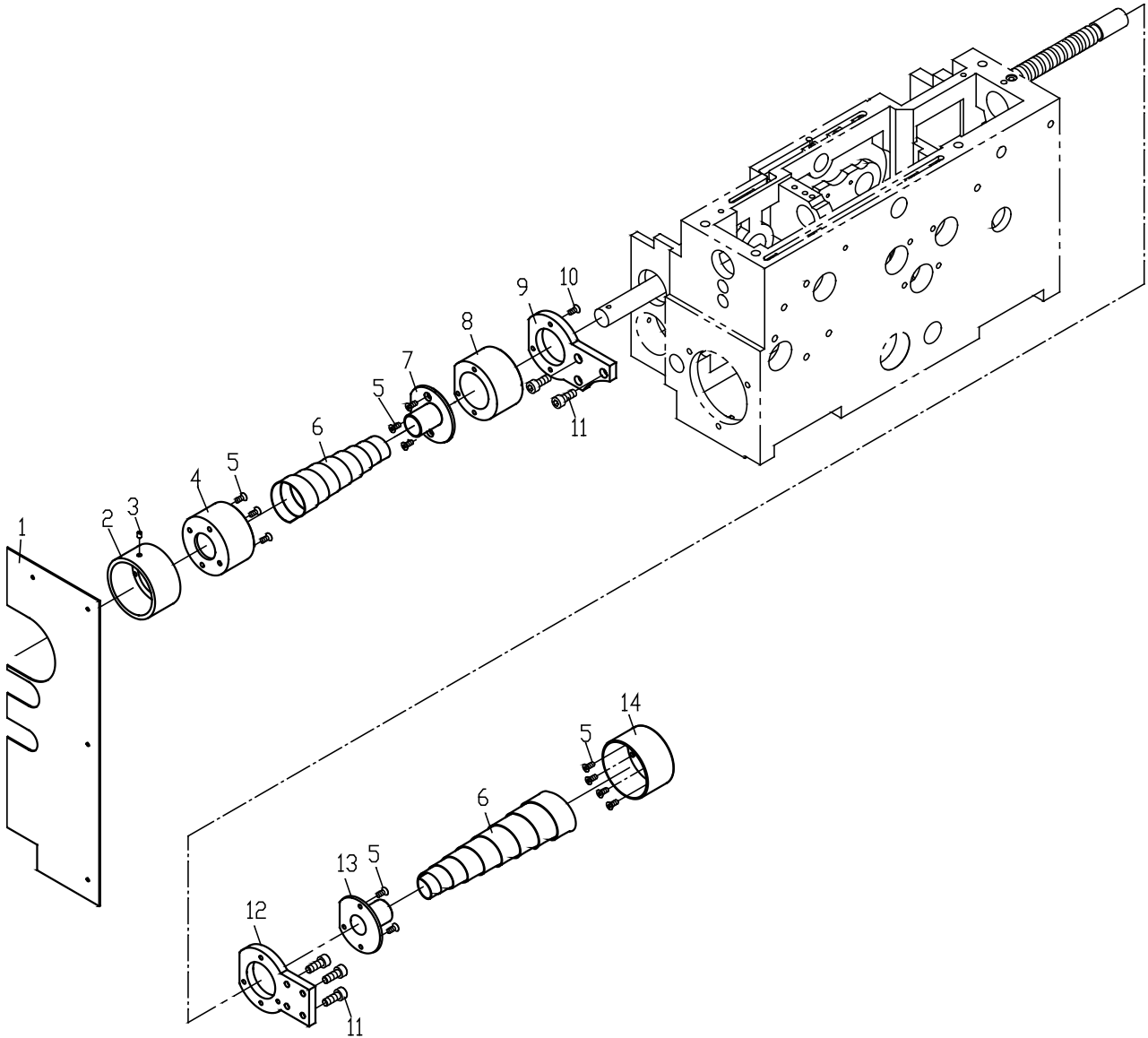
Parts List for Toolpost Protection Device



Parts List for Toolpost Protection Device

| Index No. | Part No. | Description | Size | Qty. |
|-----------|-----------------|-------------------------------|-------|------|
| 1 | C6266C20501B | Shield | | 1 |
| 2 | GH1640ZX20701 | Clamping Screw | | 1 |
| 3 | GH1640ZX20703 | Washer | | 1 |
| 4 | GH1640ZX20704 | Sleeve | | 1 |
| 5 | GB6170- M6 | Nut | M6 | 3 |
| 6 | GH1640ZX20705-1 | Bracket | | 1 |
| 7 | GB70- M8x16 | Hex Socket Cap Screw | M8x16 | 2 |
| 8 | GH1640ZX20705-2 | Bracket | | 1 |
| 9 | GB71- M4x8 | Slotted Set Screw | M4x8 | 1 |
| 10 | GB97-6 | Washer | 6 | 6 |
| 11 | GB818- M6x20 | Cross Recessed Pan Head Screw | M6x20 | 3 |

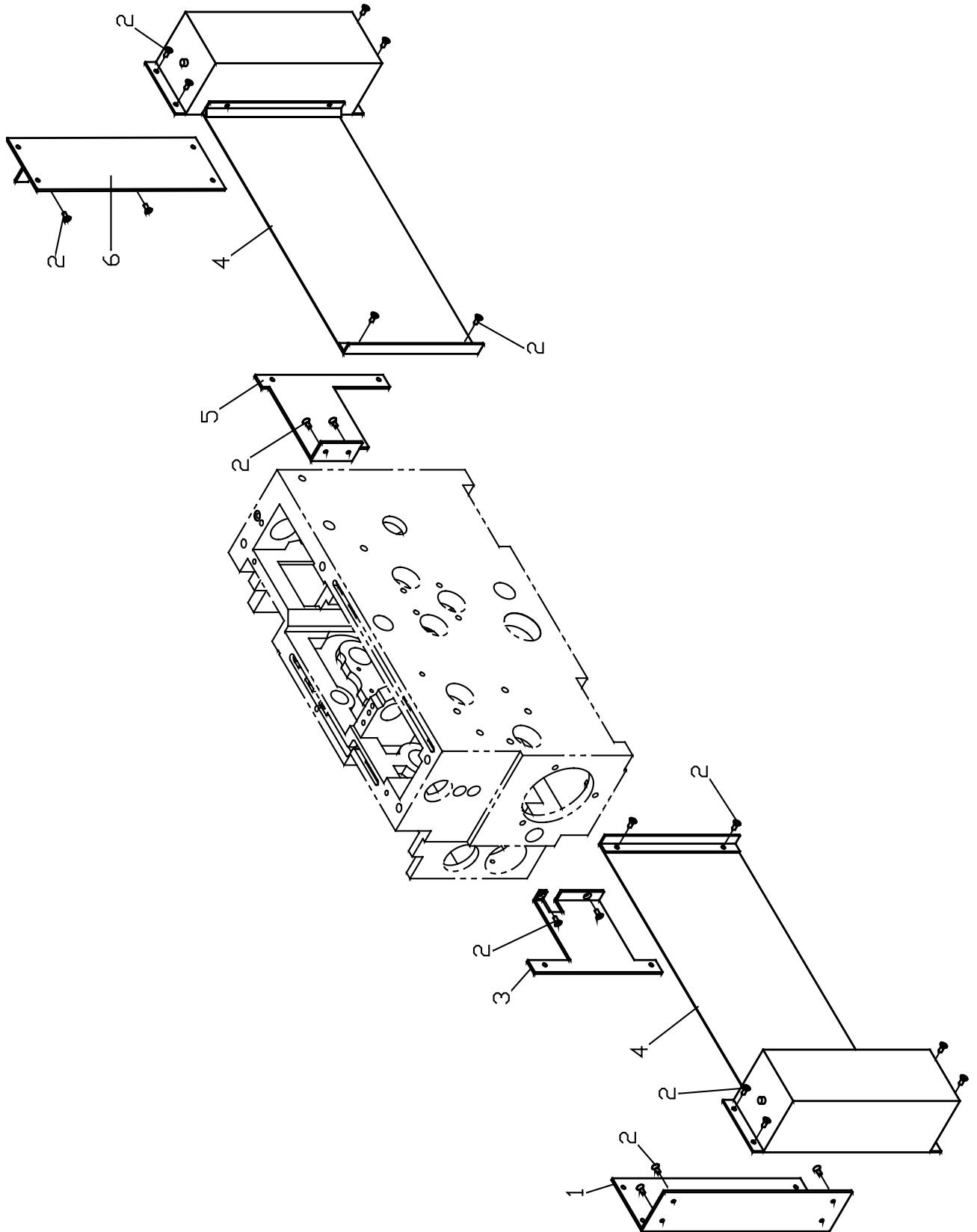
Parts List for Lead Screw Protection Device



Parts List for Lead Screw Protection Device

| Index No. | Part No. | Description | Size | Qty. |
|-----------|-----------------|------------------------------------|-------|------|
| 1 | C6266C07704 | Side Plate | | 1 |
| 2 | C6266C07701-1 | Connect Sleeve | | 1 |
| 3 | GB73- | M5x8 | M5x8 | 1 |
| 4 | 1440R07704 | Sleeve | | 1 |
| 5 | GB819- | M5x12 | M5x12 | 13 |
| 6 | LGB-45-1000-100 | Telescoping Sheet Cover(1000 Size) | | 2 |
| | LGB-45-1500-150 | Telescoping Sheet Cover(1500 Size) | | 2 |
| | LGB-45-2000-120 | Telescoping Sheet Cover(2000 Size) | | 2 |
| 7 | 1440R07702A | Flange | | 1 |
| 8 | 1440R07706A | Sleeve | | 1 |
| 9 | C6266C07702A | Left Support | | 1 |
| 10 | GB819- | M5x18 | M5x18 | 3 |
| 11 | GB70- | M6x16 | M6x16 | 7 |
| 12 | C6266C07703 | Right Support | | 1 |
| 13 | 1440R07702A | Flange | | 1 |
| 14 | 1440R07705A | Right Flange | | 1 |

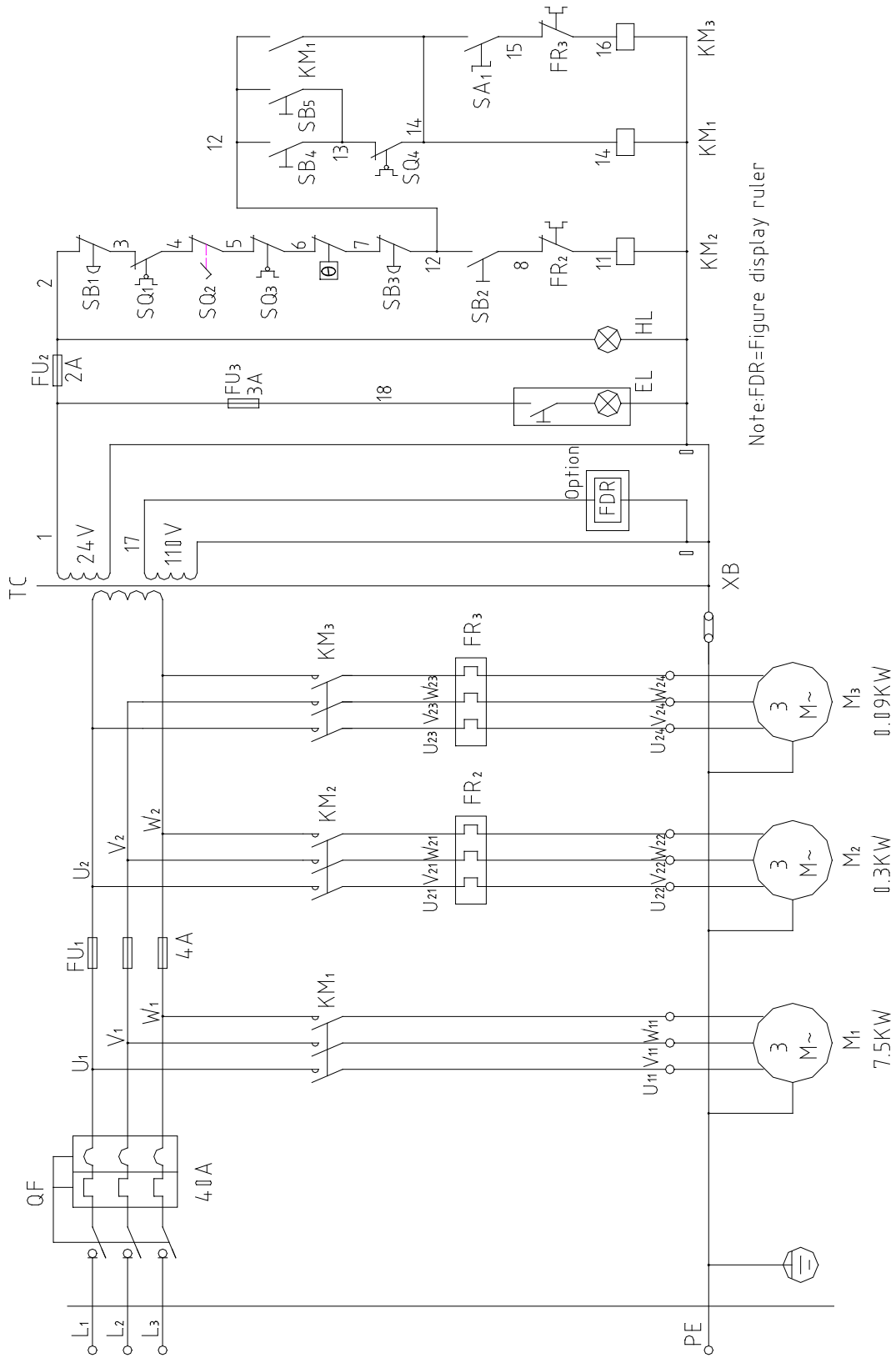
Parts List for Lead Screw Protection Device
For GH-20120ZH



**Parts List for Lead Screw Protection Device
For GH-20120ZH**

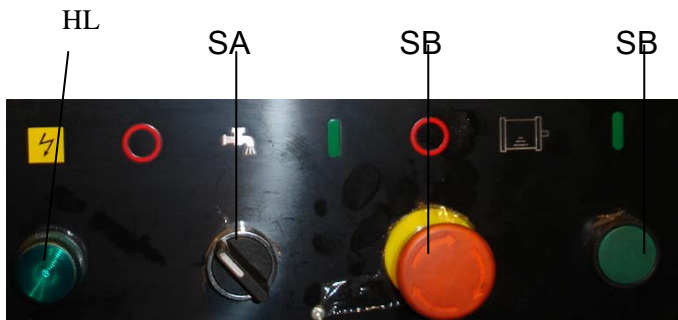
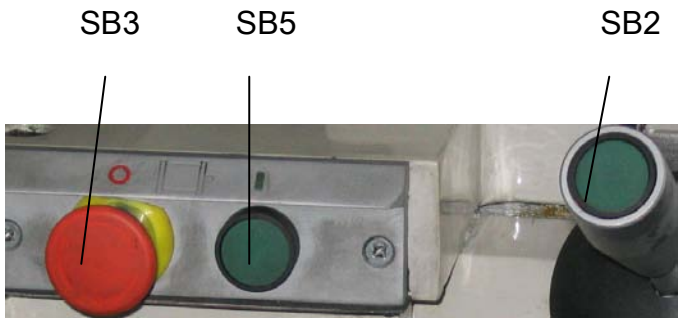
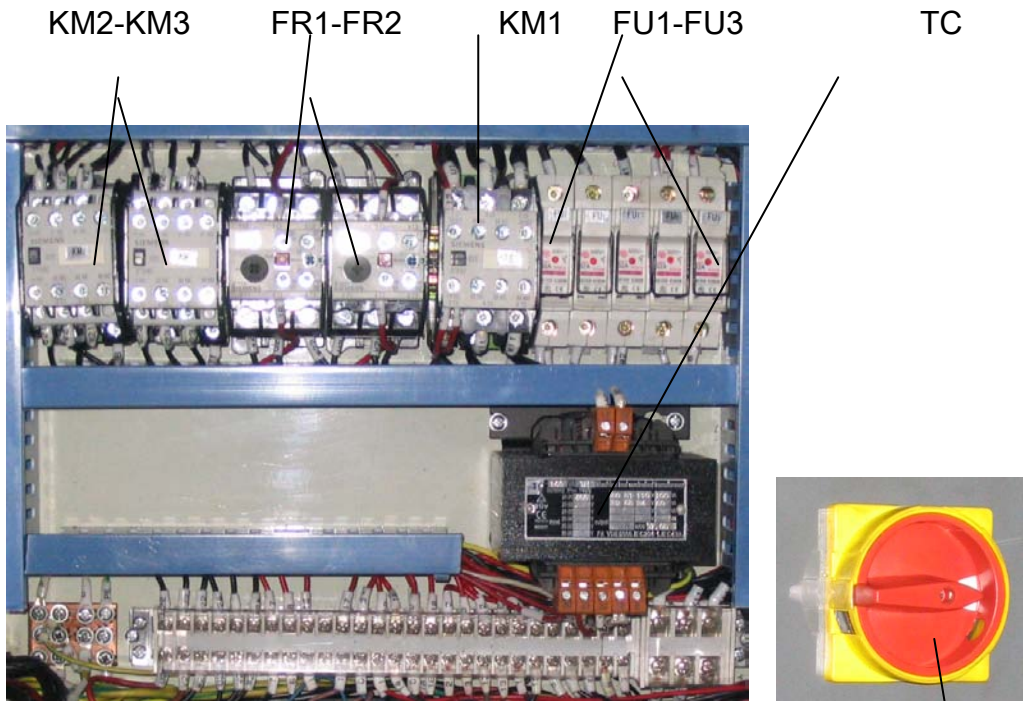
| Index No. | Part No. | Description | Size | Qty. |
|------------------|-----------------|---------------------------|-------------|-------------|
| 1 | C6266C07705 | Front Left Support | | 1 |
| 2 | GB819- M4x6 | Cross Recessed Head Screw | M4x6 | 20 |
| 3 | C6266C07706 | Front Right Support | | 1 |
| 4 | C6266CLSG004 | Roll-up Cover | 3000 | 2 |
| 5 | C6266C07707 | Back Left Support | | 1 |
| 6 | C6266C07708 | Back Right Support | | 1 |

Electrical Components

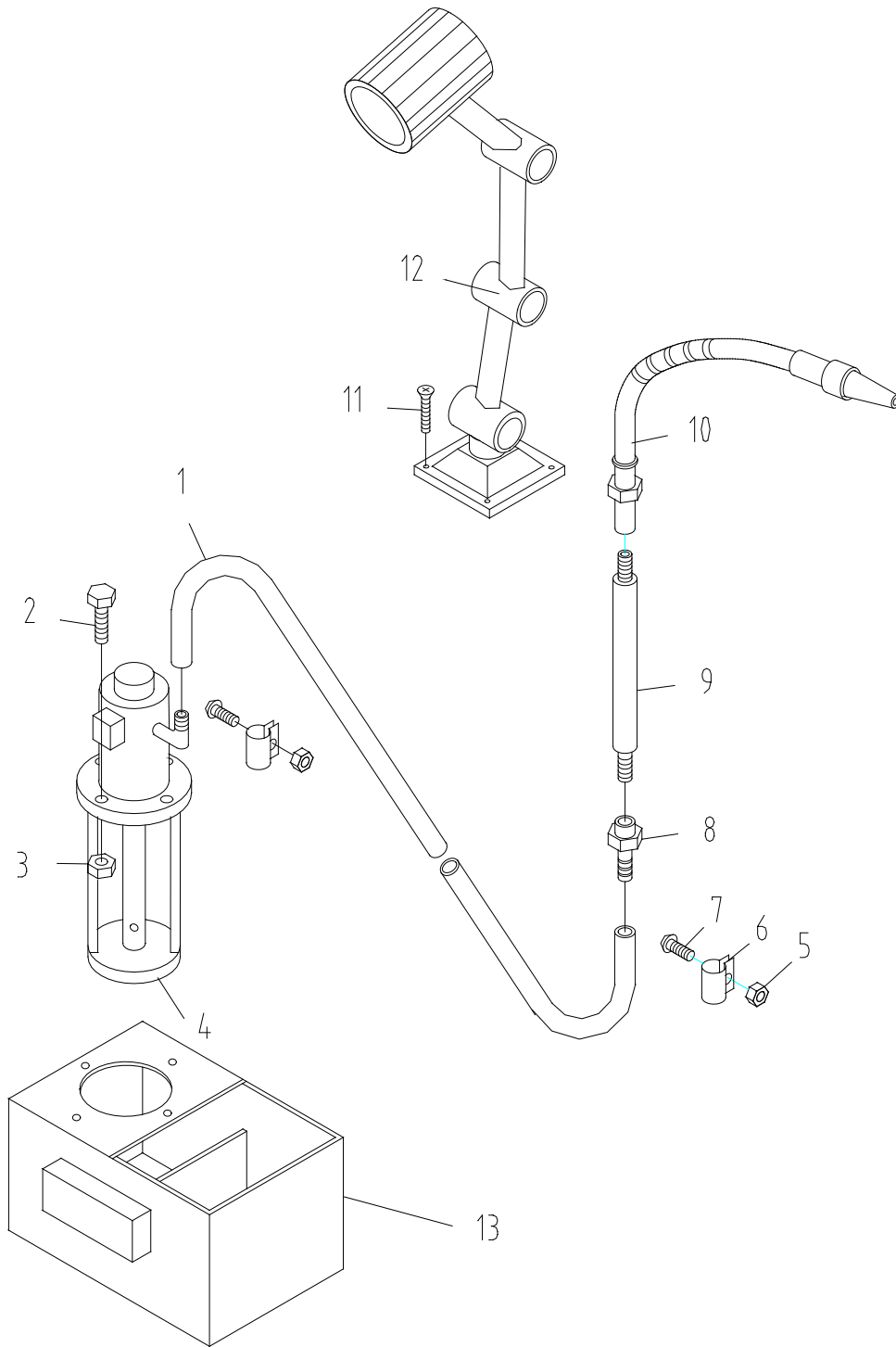


List of electric elements

| Code | Description | Model | Specifications | Qty |
|---------|---------------------------|--------------|-------------------------------|-----|
| M1 | Main motor | Y132M-4TH/B3 | 3~400V 50HZ 7.5KW , 1440r/min | 1 |
| M2 | Coolnat pump | ZX-CW04E | 3~400V 50HZ 90W | 1 |
| M3 | Rapid feed motor | YSS5634 | 3~400V 50HZ 370W , 1400r/min | 1 |
| QF | Automatic switch | JFD11 | 3 phase 40A | 1 |
| TC | Control transformer | JBK5-160TH | 400V/110V、 24V | 1 |
| FR1 | Thermal relay | 3UA59 | 0.25-0.4A | 1 |
| FR2 | Thermal relay | 3UA59 | 1.6-2.5A | 1 |
| KM1 | a.c. contactor | 3TB43 | Coil voltage 110V , 22A | 1 |
| KM2、 | a.c. contactor | 3TB40 | Coil voltage 110V , 9A | 2 |
| | Fuse Base | RT18-32X | | 5 |
| FU1 | Fuse | RT14 | 4A | 3 |
| FU2 | Fuse | RT14 | 2A | 1 |
| FU3 | Fuse | RT14 | 3A | 1 |
| θ | Thermally sensitive relay | JW6-125°C | Working temperature 125°C | 1 |
| SQ1 | Door switch | QKS8 | | 1 |
| SQ2 | Limit switch | JW2-11H/W1 | | 1 |
| SQ3 | Stroke switch | LXW5-11Q1 | | 1 |
| SQ4 | Stroke switch | LXW5-11Q1 | | 1 |
| SB1、SB3 | EMG Stop Button | ZB2-BS54C | Red | 2 |
| SB2 | Rapid Travel Button | XB2BD53C | Green | 1 |
| SB4、SB5 | Button | XB2-EA131 | Green | 2 |
| SA1 | Turning switch | ZB2-BD2C | Black | 1 |
| EL | Machine lamp | JC38-B | | 1 |
| | Bulb | | 24V , 40W | 1 |
| HL | Indictor light | XB2EV163 | 24V,Green | 1 |
| | | | | |
| | | | | |
| | | | | |
| | | | | |
| | | | | |
| | | | | |
| | | | | |
| | | | | |
| | | | | |
| | | | | |
| | | | | |



Coolant & Work Light Assembly



Coolant & Work Light Assembly

| Index No. | Part No. | Description | Size | Qty. |
|-----------|---------------------|-------------------------------|--------------|------|
| 1 | AB-25- ID 1/2"×2280 | Rubber Tube | ID 1/2"×2280 | 1 |
| 2 | GB5782- M5×20 | Hexagon Head Bolt | M5×20 | 4 |
| 3 | GB41- M5 | Hex Nut | M5 | 4 |
| 4 | AB-25-1/8HP | Coolant Pump | 1/8HP | 1 |
| 5 | GB41- M6 | Hex Nut | M6 | 2 |
| 6 | C613601727 | Clip For Rubber Tube | | 1 |
| 7 | GB818- M6×20 | Cross Recessed Pen Head Screw | M6×20 | 2 |
| 8 | C6140W01731 | Fitting | | 1 |
| 9 | C6140W01730 | Flow Pipe | | 1 |
| 10 | AB-25-1/2"×16×700 | Coolant Tube | 1/2"×16×700 | 1 |
| 11 | GB70- M6×20 | Hex Socket Cap Screw | M6×20 | 4 |
| 12 | JC52-24V,25W/50W | Light | 24V 25W/50W | 1 |
| 13 | ZX01510 | Coolant Tank | | 1 |